

# LEDJ

## **Intense 9HEX10 LED Slim Par** **9 x 10W six-colour LEDs** **(RGBWAUV)** **User Manual**



Convection  
cooled,  
no fan!

**Order code:**  
**LEDJ254A (Black Housing)**  
**LEDJ254AZ (White Housing)**

### WARNING

## FOR YOUR OWN SAFETY, PLEASE READ THIS USER MANUAL CAREFULLY BEFORE YOUR INITIAL START-UP!

- Before your initial start-up, please make sure that there is no damage caused during transportation.
- Should there be any damage, consult your dealer and do not use the equipment.
- To maintain the equipment in good working condition and to ensure safe operation, it is necessary for the user to follow the safety instructions and warning notes written in this manual.
- Please note that damages caused by user modifications to this equipment are not subject to warranty.



### IMPORTANT:

The manufacturer will not accept liability for any resulting damages caused by the non-observance of this manual or any unauthorised modification to the equipment.

- Never let the power cable come into contact with other cables. Handle the power cable and all mains voltage connections with particular caution!
- Never remove warning or informative labels from the unit.
- Do not open the equipment and do not modify the unit.
- Do not connect this equipment to a dimmer pack.
- Do not switch the equipment on and off in short intervals, as this will reduce the system's life.
- Only use the equipment indoors.
- Do not expose to flammable sources, liquids or gases.
- Always disconnect the power from the mains when equipment is not in use or before cleaning! Only handle the power-cable by the plug. Never pull out the plug by pulling the power-cable.
- Make sure that the available mains supply voltage is between 100~240V AC, 50/60Hz.
- Make sure that the power cable is never crimped or damaged. Check the equipment and the power cable periodically.
- If the equipment is dropped or damaged, disconnect the mains power supply immediately and have a qualified engineer inspect the equipment before operating again.
- If the equipment has been exposed to drastic temperature fluctuation (e.g. after transportation), do not connect power or switch it on immediately. The arising condensation might damage the equipment. Leave the equipment switched off until it has reached room temperature.
- If your product fails to function correctly, stop use immediately. Pack the unit securely (preferably in the original packing material), and return it to your Pro Light dealer for service.
- Only use fuses of same type and rating.
- Repairs, servicing and power connection must only be carried out by a qualified technician. THIS UNIT CONTAINS NO USER SERVICEABLE PARTS.
- This lighting fixture is for professional use only - it is not designed for or suitable for household use. The product must be installed by a qualified technician in accordance with local territory regulations. The safety of the installation is the responsibility of the installer. The fixture presents risks of severe injury or death due to fire hazards, electric shock and falls.
- Warning! Risk Group 2 LED product according to EN 62471. Keep a distance of at least 11feet (3.3m) to avoid direct eye and skin exposure. Do not operate the fixture if the external cover protective lens is damaged or missing. Avoid direct viewing of the UV light and refrain from using optical instruments or any device that may concentrate the light/radiation output. We advise users to take necessary precautions to minimise direct exposure to UV radiation and individuals suffering from a range of eye conditions, sunlight exposure disorders, or individuals using photosensitive medication, may receive discomfort if exposed to the ultraviolet (UV) light emitted from this fixture.
- WARRANTY: One year from date of purchase.

### OPERATING DETERMINATIONS

If this equipment is operated in any other way, than those described in this manual, the product may suffer damage and the warranty becomes void. Incorrect operation may lead to danger e.g: short-circuit, burns and electric shocks etc.

Do not endanger your own safety and the safety of others!

Incorrect installation or use can cause serious damage to people and/or property.

### Intense 9HEX10 LED Slim Par

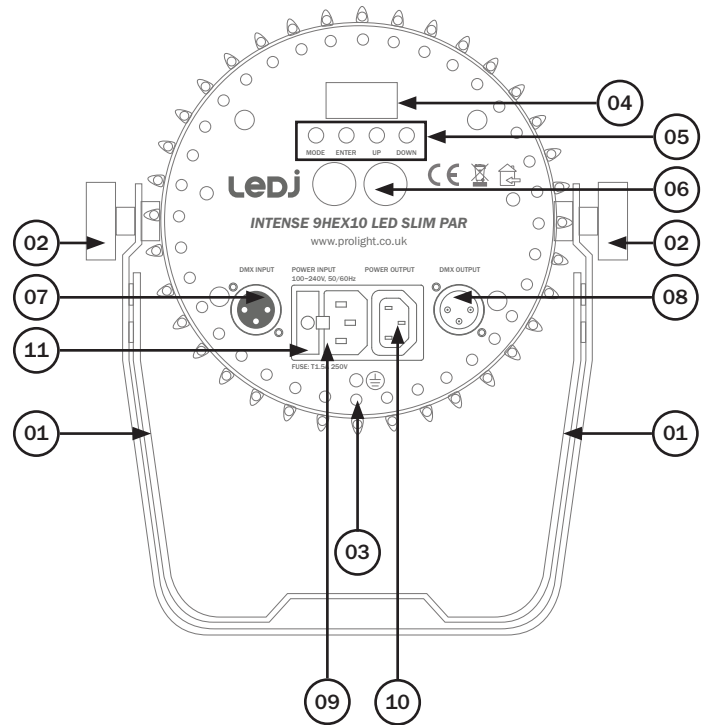
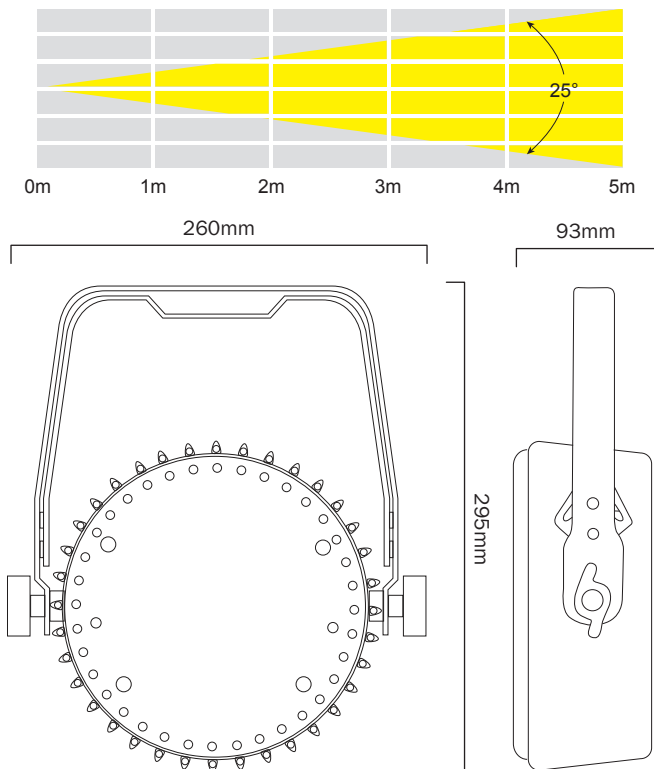
Powered by 9 x 10W RGBWAUV LEDs within a compact, die-cast chassis the Intense 9HEX10 provides a smooth wash of vibrant colour. Featuring 6-in-1 colour LEDs this fixture advances from standard RGB colour mixing with the addition of white for pastel shades, amber for rich, warm tones and UV for intense hues. The convection cooled chassis ensures silent running and features mounting points for the optional barn door/gel frame kit (LEDJ253A - Black/LEDJ253AZ - White).

- 9 x 10W 6-in-1 colour LEDs (RGBWAUV)
- Beam angle: 25° (field angle: 35°)
- 2244 Lux @ 2m (full on)
- 4.2kHz refresh rate
- DMX channels: 2/3/3/4/4/5/6/8 or 10 selectable
- Static colour, colour change, colour fade, auto run, sound active and master/slave modes
- 0 - 100% dimming with variable strobe
- Bracket allows for multiple rigging and floor standing applications
- 4 push button menu with LED display
- IEC power input/output sockets
- 3-pin XLR input/output sockets
- Convection cooled
- Optional Barn Door/Gel Frame (LEDJ253A - Black/LEDJ253AZ - White)

Specifications	Intense 9HEX10
Power consumption	98W
Power supply	100~240V, 50/60Hz
Fuse	T1.5A 250V
Dimensions	295 x 260 x 93mm
Weight	2.6kg
Order code	LEDJ254A (Black Housing) LEDJ254AZ (White Housing)



25° - Lux 8650 2244 978 559 375



- 01 - Bracket
- 02 - Bracket tightening knobs
- 03 - Earth point
- 04 - LED display
- 05 - Function buttons
- 06 - Safety bond point
- 07 - DMX input socket
- 08 - DMX output socket
- 09 - IEC power input socket
- 10 - IEC power output socket
- 11 - Fuse T1.5A 250V

In the box: **1 x fixture,**  
**1 x power cable &**  
**1 x user manual**

### DMX channel mode:

Operating in a DMX control mode environment gives the user the greatest flexibility when it comes to customising or creating a show. In this mode you will be able to control each individual trait of the fixture and each fixture independently.

To access the DMX channel mode, press the **“MODE”** button on the rear of the unit to show *000 1* on the LED display. Now use the **“UP”** and **“DOWN”** buttons to set the desired DMX address. Now press the **“ENTER”** button to choose one of the 6, 8 or 10 DMX channel modes, press the **“ENTER”** button to confirm the setting.

To exit out of any of the above options, press the **“MODE”** button.

### 2 channel mode:

Channel	Value	Function
1	000-255	Master dimmer (0-100%)
2 000-255 colour macro	000-016	Red
	017-033	Green
	034-050	Blue
	051-067	White
	068-084	Amber
	085-101	UV
	102-118	Yellow (R - 255, G - 200, A - 255)
	119-135	Cyan (G - 255, B - 255)
	136-152	Lavender (R - 170, B - 210)
	153-169	Bright green (G - 255, A - 180)
	170-186	Magenta (R - 255, B - 90, UV - 255)
	187-203	Turquoise (G - 255, B - 180, UV - 255)
	204-220	Orange (R - 200, A - 200)
	221-237	Cool white (R - 70, G - 190, B - 255, A - 200)
238-255	Warm white (R - 230, G - 255, B - 255, A - 255, W - 255)	

### 3 channel mode:

Channel	Value	Function
1	000-255	Master dimmer (0-100%)
2	000-255	Flash (speed 0-100%, 1Hz-20Hz)
3	000-004	Blackout
	005-010	Red
	011-015	Green
	016-020	Blue
	021-025	White
	026-030	Amber
	031-035	UV
	036-040	Yellow (R - 255, G - 200, A - 255)
	041-045	Cyan (G - 255, B - 255)
	046-050	Lavender (R - 170, B - 210)
	051-055	Bright green (G - 255, A - 180)
	056-060	Magenta (R - 255, B - 90, UV - 255)
	061-065	Turquoise (G - 255, B - 180, UV - 255)
	066-070	Orange (R - 200, A - 200)
	071-075	Cool white (R - 70, G - 190, B - 255, A - 200)
	076-080	Warm white (R - 230, G - 255, B - 255, A - 255, W - 255)
081-150	Colour jumping speed Slowest (081) changes every 8 secs Fastest (150) changes every 0.3 secs	
151-220	Colour fading speed Slowest (151) changes every 8 secs Fastest (220) changes every 0.3 secs	
221-255	Sound control (mic sensitivity)	

### 3 channel mode:

Channel	Value	Function
1	000-255	Red (0-100%)
2	000-255	Green (0-100%)
3	000-255	Blue (0-100%)

### 4 channel mode:

Channel	Value	Function
1	000-255	Red (0-100%)
2	000-255	Green (0-100%)
3	000-255	Blue (0-100%)
4	000-255	White (0-100%)

### 4 channel mode:

Channel	Value	Function
1	000-255	Red (0-100%)
2	000-255	Green (0-100%)
3	000-255	Blue (0-100%)
4	000-255	Amber (0-100%)

### 5 channel mode:

Channel	Value	Function
1	000-255	Red (0-100%)
2	000-255	Green (0-100%)
3	000-255	Blue (0-100%)
4	000-255	White (0-100%)
5	000-255	Amber (0-100%)

### 6 channel mode:

Channel	Value	Function
1	000-255	Red (0-100%)
2	000-255	Green (0-100%)
3	000-255	Blue (0-100%)
4	000-255	White (0-100%)
5	000-255	Amber (0-100%)
6	000-255	UV (0-100%)

## 8 channel mode:

Channel	Value	Function
1	000-255	Red (0-100%)
2	000-255	Green (0-100%)
3	000-255	Blue (0-100%)
4	000-255	White (0-100%)
5	000-255	Amber (0-100%)
6	000-255	UV (0-100%)
7	000-255	Master dimmer (0-100%)
8	000-255	Strobe (slow-fast)

## 10 channel mode:

Channel	Value	Function
1	000-255	Master dimmer (0-100%)
2	000-255	Red (0-100%)
3	000-255	Green (0-100%)
4	000-255	Blue (0-100%)
5	000-255	White (0-100%)
6	000-255	Amber (0-100%)
7	000-255	UV (0-100%)
8	000	No function
	001-041	Program 1 - Static colour
	042-083	Program 2 - 6 colour fade
	084-125	Program 3 - Multicolour fade
	126-167	Program 4 - Multicolour illusion
	168-209	Program 5 - 6 colour change
	210-241	Program 6 - Multicolour change
	242-255	Sound active
9 (Static colour selection when channel 8 is 001-041)	000	Blackout
	001-016	Red
	017-033	Green
	034-050	Blue
	051-067	White
	068-084	Amber
	085-101	UV
	102-118	Yellow (R - 255, G - 200, A - 255)
	119-135	Cyan (G - 255, B - 255)
	136-152	Lavender (R - 170, B - 210)
	153-169	Bright green (G - 255, A - 180)
	170-186	Magenta (R - 255, B - 90, UV - 255)
	187-203	Turquoise (G - 255, B - 180, UV - 255)
	204-220	Orange (R - 200, A - 200)
	221-237	Cool white (R - 70, G - 190, B - 255, A - 200)
	238-255	Warm white (R - 230, G - 255, B - 255, A - 255, W - 255)
	000-255	Program speed when channel 8 is 001-241
	000-255	Sound sensitivity (0-31) when channel 8 is 242-255
10	000-255	Strobe (slow-fast)

### Built-in program mode:

To access the built-in program mode press “**MODE**” until the display shows *Pr.01* on the LED display. Use the “**UP**” and “**DOWN**” buttons to select a program from *Pr.01 ~ Pr.06*.

Press the “**ENTER**” button to confirm the setting.

To change the speed of the selected program press the “**ENTER**” button and then use the “**UP**” and “**DOWN**” buttons to select any value from *SP00 ~ SP99*. Press the “**ENTER**” button to confirm the setting, then use the “**UP**” and “**DOWN**” buttons to select and value from *F500 ~ F599* for the strobe feature. Press the “**ENTER**” button to confirm the setting.

In *Pr.01* you are able to set a specific static colour. When in *Pr.01* press the “**ENTER**” button and then use the “**UP**” and “**DOWN**” buttons to go through the static colours. Press the “**ENTER**” button to confirm the setting, then use the “**UP**” and “**DOWN**” buttons to select and value from *F500 ~ F599* for the strobe feature. Press the “**ENTER**” button to confirm the setting.

To exit out of any of the above options, press the “**MODE**” button.

### Programs:

Pr.01	Static colour
Pr.02	6 colour fade
Pr.03	Multicolour fade
Pr.04	Multicolour illusion
Pr.05	6 colour change
Pr.06	Multicolour change

### Static colours:

1--r - Red	9-rb - Bright Pink
2--g - Green	10rb - Rose Pink
3--b - Blue	11gb - Light Blue
4--w - White	12rw - Salmon Pink
5--A - Amber	13gw - Pastel Green
6--l - UV	14bw - Pastel Blue
7--o - Orange	15ww - Warm White
8--g - Green/Yellow	16cw - Full on (White)

### Static colour mode:

To access the static colour mode press “**ENTER**” until *[0]r* shows on the LED display.

Press the “**ENTER**” button and the LED display will show *r.225*. Now use the “**UP**” and “**DOWN**” buttons to select the brightness between *r.000 ~ r.255*. Press the “**ENTER**” button and repeat for green, blue, white, amber and UV.

**Value: 000 - 255 (000 = low, 255 = high)**

To exit out of any of the above options, press the “**MODE**” button.

### Master/slave mode:

To set the master unit, press the “**MODE**” button on the rear of the master unit then select your desired program (sound active, auto, static colour or one of the built-in programs).

To set the other units in slave mode, press the “**MODE**” button on the rear of the unit to show *SLAU* on the LED display and press the “**ENTER**” button to confirm the setting. The units will now run in sequence with the master unit.

To exit out of any of the above options, press the “**MODE**” button.

Please ensure that all slave units are set to the same DMX channel mode as the master unit.

### Sound active mode:

To access the sound active mode, press the “**MODE**” button on the rear of the unit to show *SU00* on the LED display. Now press the “**ENTER**” button and use the “**UP**” and “**DOWN**” buttons to set the sound sensitivity level from *SU00 ~ SU31* and press the “**ENTER**” button to confirm the setting.

**Value: 00 - 31 (00 = low, 99 = high)**

To exit out of any of the above options, press the “**MODE**” button.

### Auto mode:

To access the auto mode press “**ENTER**” until the display shows *Auto* on the LED display.

The fixture will now run through its built in programs. NOTE: The user can set up the speed and flash speed for *Pr.02 ~ Pr.06* under the built in programs mode. Changing this here will then take effect when running auto mode.

To exit out of any of the above options, press the “**MODE**” button.

### NOTE:

This fixture has a thermal protection function. The fixture will automatically enter into a self-protection state and the LED display will flash “- r t -” if the thermal protection is activated. Switch off the fixture and leave to cool down. Should the problem reoccur please contact your local dealer for service and support.

### Factory reset:

To reset the fixture to factory settings, power the fixture off. Press and hold the “**MODE**” and “**ENTER**” buttons whilst powering the unit up. Keep hold of the “**MODE**” and “**ENTER**” buttons for 3 seconds after power up. The unit will now have reset to factory settings.

### Menu system

Built-in program	<i>Pr.01</i> Static colour <i>Pr.02</i> 6 colour fade <i>Pr.03</i> Multicolour fade <i>Pr.04</i> Multicolour illusion <i>Pr.05</i> 6 colour change <i>Pr.06</i> Multicolour change <i>SP00~SP99</i> (speed) <i>F500~F599</i> (flash)
Static colour mode	<i>r.000~r.255</i> R <i>g.000~g.255</i> G <i>b.000~b.255</i> B <i>w.000~w.255</i> W <i>R.000~R.255</i> A <i>UV.000~UV.255</i> UV
Auto mode	<i>Auto</i>
Slave mode	<i>SLAVE</i>
Sound active mode	<i>SU00~SU31</i>
DMX mode	2CH, 3CH, 3CH, 4CH, 4CH, 5CH, 6CH, 8CH, 10CH
Address setting	<i>ADD 1~AS 12</i>



### Setting the DMX address:

The DMX mode enables the use of a universal DMX controller. Each fixture requires a “start address” from 1- 512. A fixture requiring one or more channels for control begins to read the data on the channel indicated by the start address. For example, a fixture that occupies or uses 7 channels of DMX and was addressed to start on DMX channel 100, would read data from channels: 100,101,102,103,104,105 and 106. Choose a start address so that the channels used do not overlap. E.g. the next unit in the chain starts at 107.

### DMX 512:

DMX (Digital Multiplex) is a universal protocol used as a form of communication between intelligent fixtures and controllers. A DMX controller sends DMX data instructions from the controller to the fixture. DMX data is sent as serial data that travels from fixture to fixture via the DATA “IN” and DATA “OUT” XLR terminals located on all DMX fixtures (most controllers only have a data “out” terminal).

### DMX linking:

DMX is a language allowing all makes and models of different manufactures to be linked together and operate from a single controller, as long as all fixtures and the controller are DMX compliant. To ensure proper DMX data transmission, when using several DMX fixtures try to use the shortest cable path possible. The order in which fixtures are connected in a DMX line does not influence the DMX addressing. For example; a fixture assigned to a DMX address of 1 may be placed anywhere in a DMX line, at the beginning, at the end, or anywhere in the middle. When a fixture is assigned a DMX address of 1, the DMX controller knows to send DATA assigned to address 1 to that unit, no matter where it is located in the DMX chain.

### DATA cable (DMX cable) requirements (for DMX operation):

This fixture can be controlled via DMX-512 protocol. The DMX address is set on the back of the unit. Your unit and your DMX controller require a standard 3-pin XLR connector for data input/output, see image below.



Further DMX cables can be purchased from all good sound and lighting suppliers or Pro Light Concepts dealers.

Please quote:

**CABL10 – 2m**

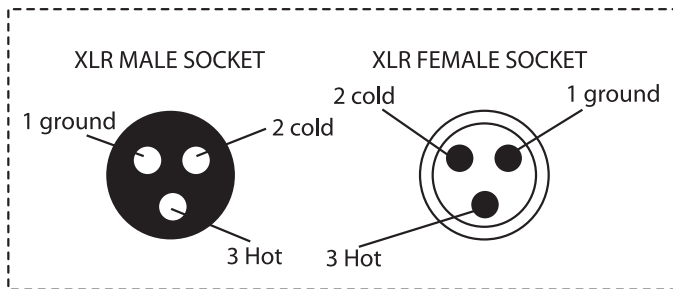
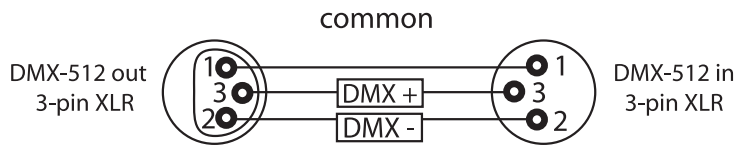
**CABL11 – 5m**

**CABL12 – 10m**

Also remember that DMX cable must be daisy chained and cannot be split.

**Notice:**

Be sure to follow the diagrams below when making your own cables. Do not connect the cables shield conductor to the ground lug or allow the shield conductor to come in contact with the XLRs outer casing. Grounding the shield could cause a short circuit and erratic behaviour.



XLR Pin Configuration
Pin 1 = Ground
Pin 2 = Negative
Pin 3 = Postive

**Special note:**

**Line termination:**

When longer runs of cable are used, you may need to use a terminator on the last unit to avoid erratic behaviour.

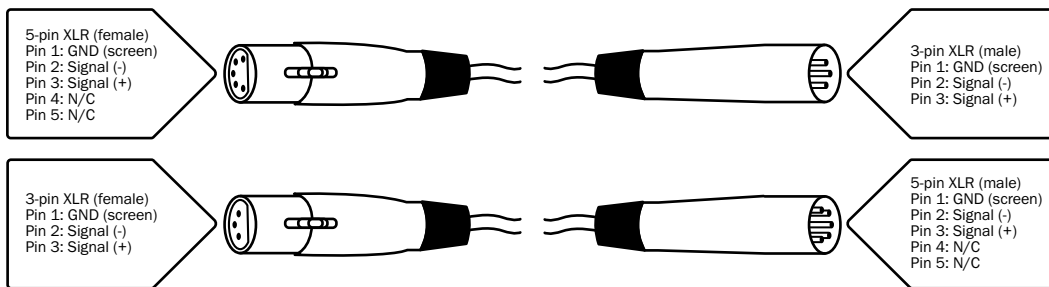
**Using a cable terminator will decrease the possibilities of erratic behaviour.**

**(3-pin - Order ref: CABL90, 5-pin - Order ref: CABL89)**

Termination reduces signal transmission problems and interference. It is always advisable to connect a DMX terminal, (resistance 120 Ohm 1/4 W) between pin 2 (DMX-) and pin 3 (DMX+) of the last fixture.

**5-pin XLR DMX connectors:**

Some manufactures use 5-pin XLR connectors for data transmission in place of 3-pin. 5-pin XLR fixtures may be implemented in a 3-pin XLR DMX line. When inserting standard 5-pin XLR connectors in to a 3-pin line a cable adaptor must be used. The diagram below details the correct cable conversion.





***Correct Disposal of this Product  
(Waste Electrical & Electronic Equipment)***

**(Applicable in the European Union and other European countries  
with separate collection systems)**

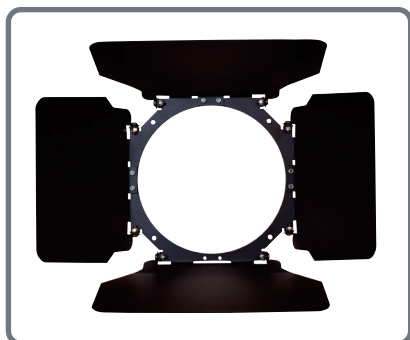
This marking shown on the product or its literature, indicates that it should not be disposed of with other household wastes at the end of its working life. To prevent possible harm to the environment or human health from uncontrolled waste disposal, please separate this from other types of wastes and recycle it responsibly to promote the sustainable reuse of material resources.

Household users should contact either the retailer where they purchased this product, or their local government office, for details of where and how they can take this item for environmentally safe recycling.

Business users should contact their supplier and check the terms and conditions of the purchase contract. This product should not be mixed with other commercial wastes for disposal.



Please contact your local retailer to purchase these accessories.



Optional barn door/gel frame  
Order code: LEDJ253A

To keep up-to-date on the latest accessories and product range additions please visit [www.prolight.co.uk](http://www.prolight.co.uk)