

# EQUINOX

## PIXELpoint Batten

User Manual



Order codes: EQLED059

### WARNING

## FOR YOUR OWN SAFETY, PLEASE READ THIS USER MANUAL CAREFULLY BEFORE YOUR INITIAL START-UP!

- Before your initial start-up, please make sure that there is no damage caused during transportation.
- Should there be any damage, consult your dealer and do not use the equipment.
- To maintain the equipment in good working condition and to ensure safe operation, it is necessary for the user to follow the safety instructions and warning notes written in this manual.
- Please note that damages caused by user modifications to this equipment are not subject to warranty.



### IMPORTANT:

The manufacturer will not accept liability for any resulting damages caused by the non-observance of this manual or any unauthorised modification to the equipment.

- Never let the power cable come into contact with other cables. Handle the power cable and all mains voltage connections with particular caution!
- Never remove warning or informative labels from the unit.
- Do not open the equipment and do not modify the unit.
- Do not connect this equipment to a dimmer pack.
- Do not switch the equipment on and off in short intervals, as this will reduce the system's life.
- Only use the equipment indoors.
- Do not expose to flammable sources, liquids or gases.
- Always disconnect the power from the mains when equipment is not in use or before cleaning! Only handle the power-cable by the plug. Never pull out the plug by pulling the power-cable.
- Make sure that the available mains supply voltage is between 100~240V AC, 50/60Hz.
- Make sure that the power cable is never crimped or damaged. Check the equipment and the power cable periodically.
- If the equipment is dropped or damaged, disconnect the mains power supply immediately and have a qualified engineer inspect the equipment before operating again.
- If the equipment has been exposed to drastic temperature fluctuation (e.g. after transportation), do not connect power or switch it on immediately. The arising condensation might damage the equipment. Leave the equipment switched off until it has reached room temperature.
- If your product fails to function correctly, stop use immediately. Pack the unit securely (preferably in the original packing material), and return it to your Pro Light dealer for service.
- Only use fuses of same type and rating.
- Repairs, servicing and power connection must only be carried out by a qualified technician. THIS UNIT CONTAINS NO USER SERVICEABLE PARTS.
- This lighting fixture is for professional use only - it is not designed for or suitable for household use. The product must be installed by a qualified technician in accordance with local territory regulations. The safety of the installation is the responsibility of the installer. The fixture presents risks of severe injury or death due to fire hazards, electric shock and falls.
- Warning! Risk Group 2 LED product according to EN 62471. Do not view the light output with optical instruments or any device that may concentrate the beam.
- WARRANTY: One year from date of purchase.

### OPERATING DETERMINATIONS

If this equipment is operated in any other way, than those described in this manual, the product may suffer damage and the warranty becomes void. Incorrect operation may lead to danger e.g: short-circuit, burns and electric shocks etc.

Do not endanger your own safety and the safety of others!

Incorrect installation or use can cause serious damage to people and/or property.

**Please note:** These fixtures are intended for stage lighting and entertainment applications only, and are not intended for extended periods of use, including but not limited to house-light, industrial or architectural applications and should only be operated with short duty cycles.

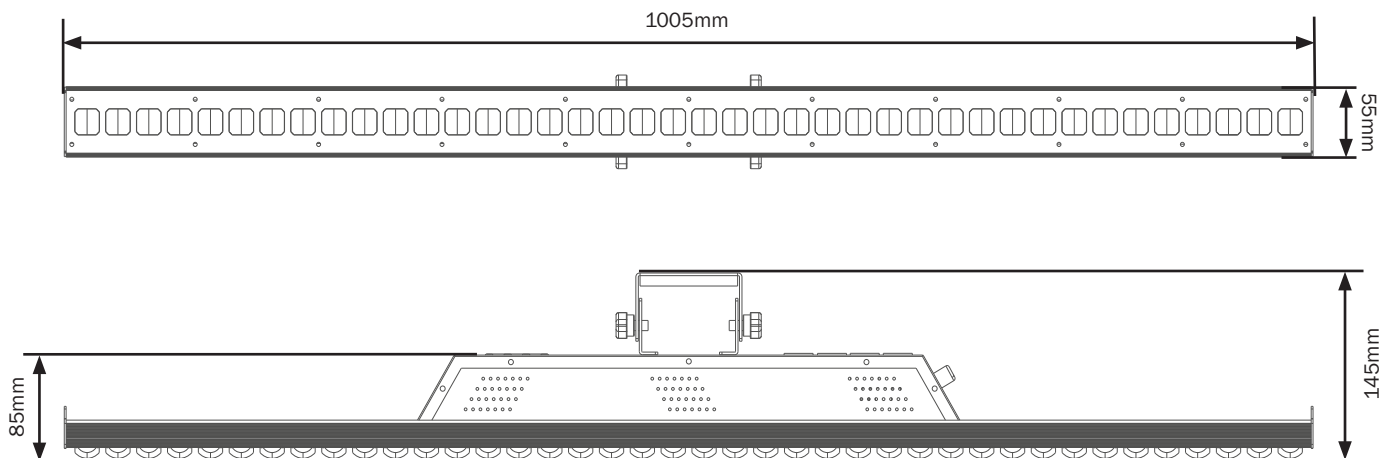
### PIXELpoint Batten

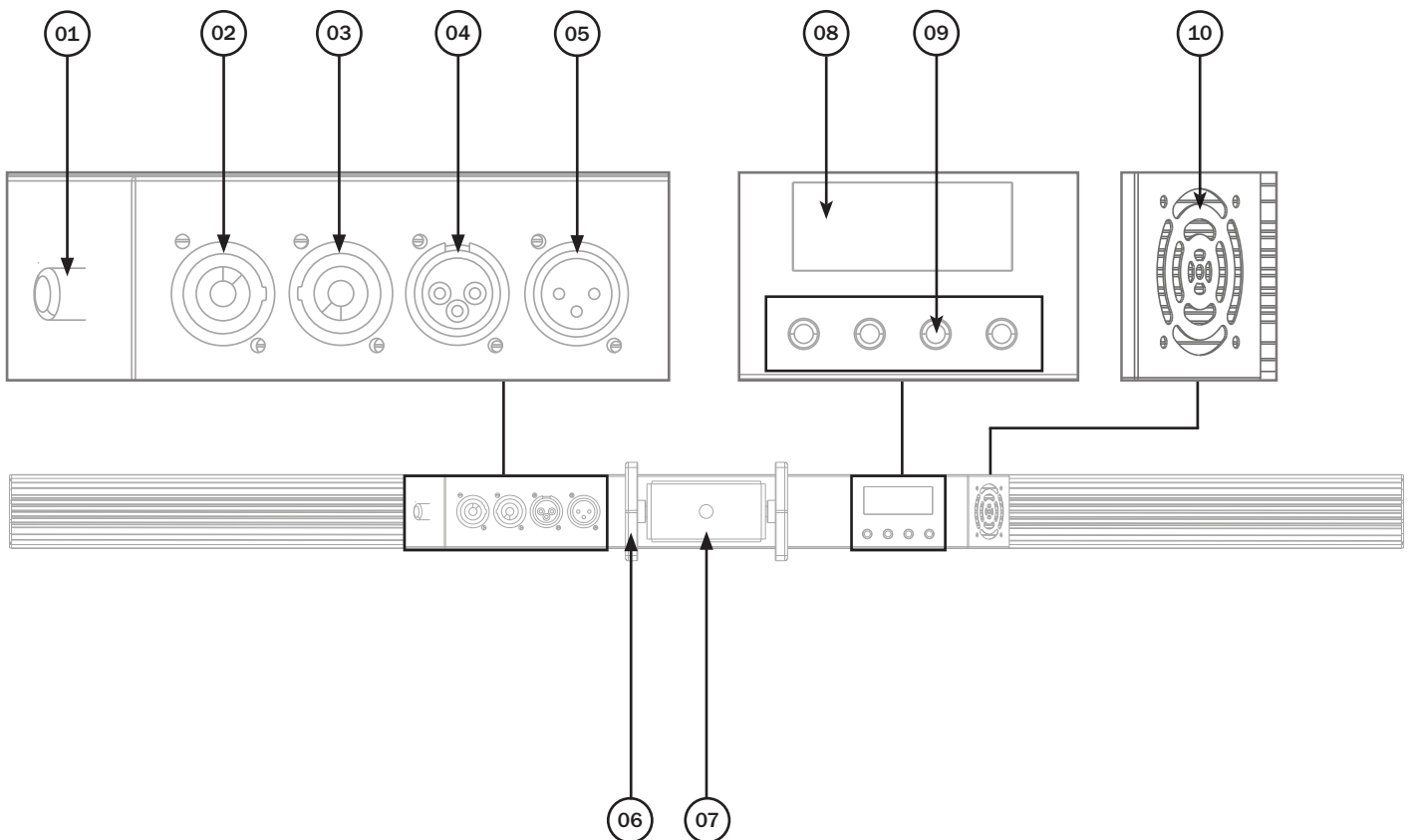
The PIXELpoint multi-beam batten features 40 x 3W 3-in-1 RGB individually controllable LEDs dispensing super narrow, long throw beams for sharp mid-air effects. The unit is packed with multiple different flows and chases creating stunning eye candy effects. For full creativity, DMX control can also be utilised via one of the 13 different channel modes allowing each pixel to be mapped for even more stunning visual effects. Power/DMX linking provides easy connection of multiple units.



- 40 x 3W tri-colour LEDs (RGB)
- Beam angle: 5°
- 4kHz refresh rate
- Pixel mapping capabilities
- DMX channels: 3/4/6/7/8/12/13/24/25/60/61/120 or 121 selectable
- Static colour, auto, sound active and master/slave modes
- 0-100% dimming
- Variable strobe
- Supplied with mounting bracket
- 4 button menu with LED display
- powerCON input/output
- 3-Pin XLR input/output
- Fan cooled

Specifications	PIXELpoint Batten
Power consumption	76W
Power supply	100~240V, 50/60Hz
Fuse	F1A 250V
Dimensions	55 x 1005 x 145mm
Weight	2.5kg
Order code	EQLED059



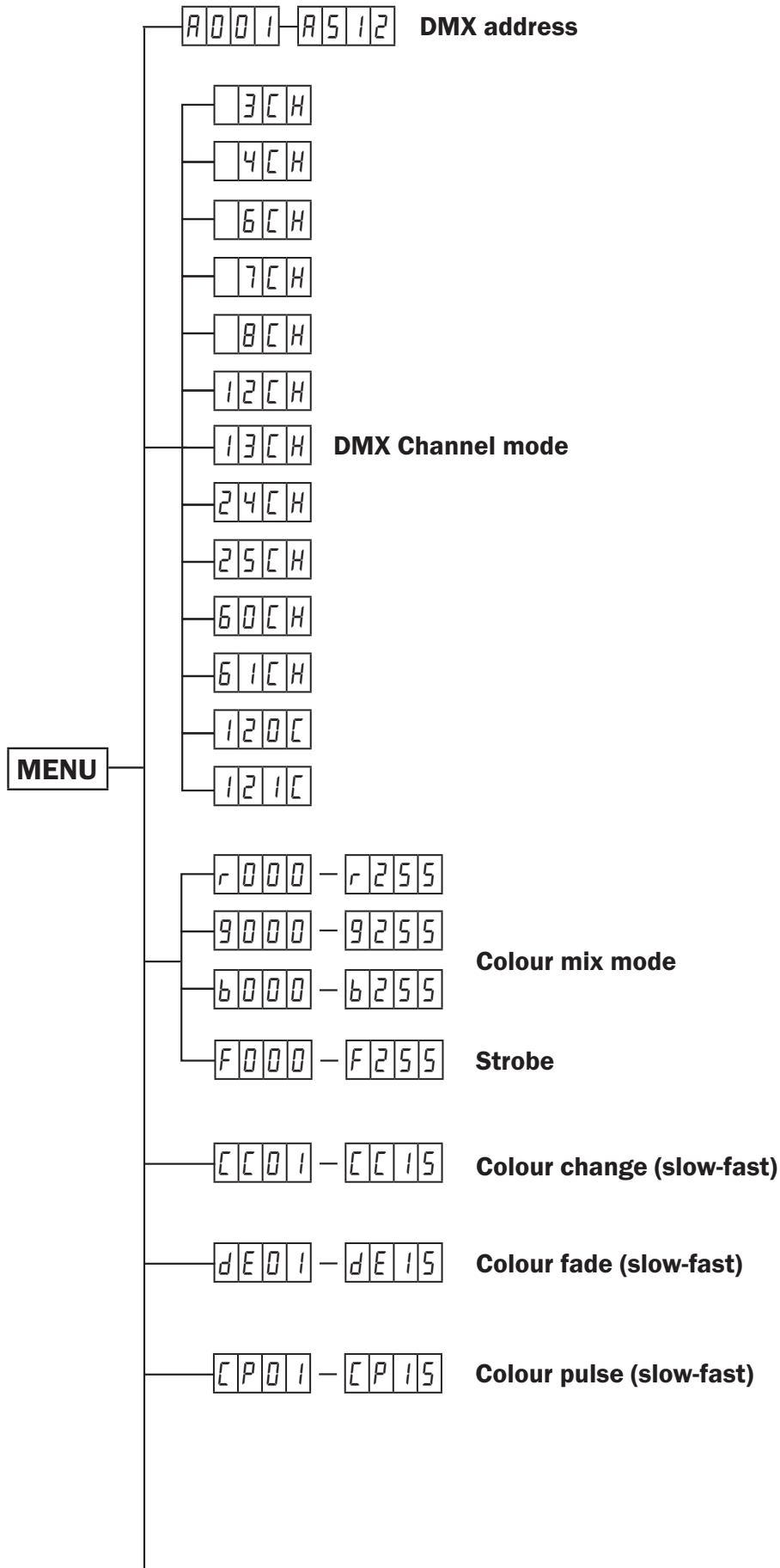


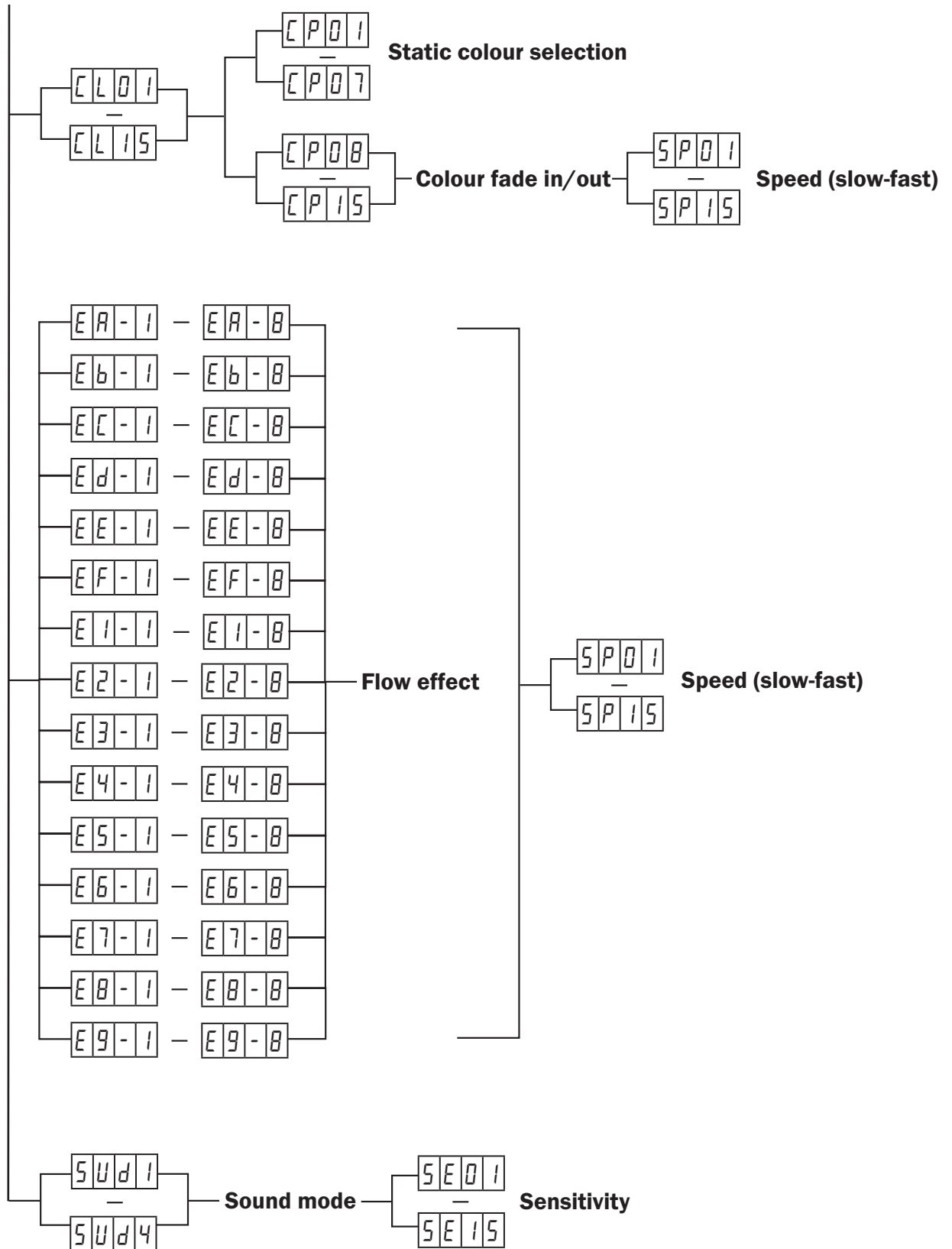
01 - Fuse F1A 250V  
 02 - powerCON input  
 03 - powerCON output

04 - 3-Pin XLR input  
 05 - 3-Pin XLR output  
 06 - Bracket tightening knobs

07 - Bracket  
 08 - LED display  
 09 - Function buttons  
 10 - Fan

In the box:  
**1 x fixture**  
**1 x power cable**  
**1 x mounting bracket**  
**& 2 x knobs**





### DMX mode:

To access the DMX address mode, press the “MENU” button to show *R001* on the LED display. Press the “ENTER” button and use the “UP” and “DOWN” buttons to set the required DMX address. Press the “ENTER” button to confirm the setting. Now use the “UP” and “DOWN” buttons to choose one of the 3/4/6/7/8/12/13/24/25/60/61/120 or 121 DMX channel modes. Press the “ENTER” button to confirm the setting.

To exit out of any of the above options, press the “MENU” button.

### 3 channel mode:

Channel	Value	Function
1	000-255	Red dimmer (0-100%)
2	000-255	Green dimmer (0-100%)
3	000-255	Blue dimmer (0-100%)

### 4 channel mode:

Channel	Value	Function
1	000-255	Master dimmer (0-100%)
2	000-255	Red dimmer (0-100%)
3	000-255	Green dimmer (0-100%)
4	000-255	Blue dimmer (0-100%)

### 6 channel mode:

Channel	Value	Function	
1	000-255	Red dimmer (0-100%)	Section 1
2	000-255	Green dimmer (0-100%)	
3	000-255	Blue dimmer (0-100%)	
4	000-255	Red dimmer (0-100%)	Section 2
5	000-255	Green dimmer (0-100%)	
6	000-255	Blue dimmer (0-100%)	

### 7 channel mode:

Channel	Value	Function	
1	000-255	Master dimmer (0-100%)	
2	000-255	Red dimmer (0-100%)	Section 1
3	000-255	Green dimmer (0-100%)	
4	000-255	Blue dimmer (0-100%)	
5	000-255	Red dimmer (0-100%)	Section 2
6	000-255	Green dimmer (0-100%)	
7	000-255	Blue dimmer (0-100%)	

### 8 channel mode:

Channel	Value	Function	
1	000-255	Master dimmer (0-100%)	
2	000	No function	
	001-255	Strobe (slow-fast)	
3	000-009	No function	use channel 5 for colour selection
	010-019	Static colours	
	020-029	Colour pulse	
	030-039	Colour change	
	040-049	Colour fade	
	050-059	Colour fade in and change	
	060-069	Effect 1	use channel 5 for colour selection
	070-079	Effect 2	
	080-089	Effect 3	
	090-099	Effect 4	
	100-109	Effect 5	
	110-119	Effect 6	
	120-129	Effect 7	
	130-139	Effect 8	
	140-149	Effect 9	
	150-159	Effect 10	
	160-169	Effect 11	
	170-179	Effect 12	
	180-189	Effect 13	
	190-199	Effect 14	
	200-209	Effect 1-14	
	210-219	Sound mode 1	use channel 5 for sensitivity
	220-229	Sound mode 2	
230-255	Sound mode 3		
4	000-255	Speed (slow-fast)	
5	000-255	Colour selection/sensitivity (low-high)	
6	000-255	Red dimmer (0-100%)	
7	000-255	Green dimmer (0-100%)	
8	000-255	Blue dimmer (0-100%)	



## 12 channel mode:

Channel	Value	Function	
1	000-255	Red dimmer (0-100%)	Section 1
2	000-255	Green dimmer (0-100%)	
3	000-255	Blue dimmer (0-100%)	
4	000-255	Red dimmer (0-100%)	Section 2
5	000-255	Green dimmer (0-100%)	
6	000-255	Blue dimmer (0-100%)	
7	000-255	Red dimmer (0-100%)	Section 3
8	000-255	Green dimmer (0-100%)	
9	000-255	Blue dimmer (0-100%)	
10	000-255	Red dimmer (0-100%)	Section 4
11	000-255	Green dimmer (0-100%)	
12	000-255	Blue dimmer (0-100%)	

## 24 channel mode:

Channel	Value	Function	
1	000-255	Red dimmer (0-100%)	Section 1
2	000-255	Green dimmer (0-100%)	
3	000-255	Blue dimmer (0-100%)	
4	000-255	Red dimmer (0-100%)	Section 2
5	000-255	Green dimmer (0-100%)	
6	000-255	Blue dimmer (0-100%)	
...	...	...	...
19	000-255	Red dimmer (0-100%)	Section 7
20	000-255	Green dimmer (0-100%)	
21	000-255	Blue dimmer (0-100%)	
22	000-255	Red dimmer (0-100%)	Section 8
23	000-255	Green dimmer (0-100%)	
24	000-255	Blue dimmer (0-100%)	

## 13 channel mode:

Channel	Value	Function	
1	000-255	Master dimmer (0-100%)	
2	000-255	Red dimmer (0-100%)	Section 1
3	000-255	Green dimmer (0-100%)	
4	000-255	Blue dimmer (0-100%)	
5	000-255	Red dimmer (0-100%)	Section 2
6	000-255	Green dimmer (0-100%)	
7	000-255	Blue dimmer (0-100%)	
8	000-255	Red dimmer (0-100%)	Section 3
9	000-255	Green dimmer (0-100%)	
10	000-255	Blue dimmer (0-100%)	
11	000-255	Red dimmer (0-100%)	Section 4
12	000-255	Green dimmer (0-100%)	
13	000-255	Blue dimmer (0-100%)	

## 25 channel mode:

Channel	Value	Function	
1	000-255	Master dimmer (0-100%)	
2	000-255	Red dimmer (0-100%)	Section 1
3	000-255	Green dimmer (0-100%)	
4	000-255	Blue dimmer (0-100%)	
5	000-255	Red dimmer (0-100%)	Section 2
6	000-255	Green dimmer (0-100%)	
7	000-255	Blue dimmer (0-100%)	
...	...	...	...
20	000-255	Red dimmer (0-100%)	Section 7
21	000-255	Green dimmer (0-100%)	
22	000-255	Blue dimmer (0-100%)	
23	000-255	Red dimmer (0-100%)	Section 8
24	000-255	Green dimmer (0-100%)	
25	000-255	Blue dimmer (0-100%)	

### 60 channel mode:

Channel	Value	Function	
1	000-255	Red dimmer (0-100%)	Pixel 1 & 2
2	000-255	Green dimmer (0-100%)	
3	000-255	Blue dimmer (0-100%)	
4	000-255	Red dimmer (0-100%)	Pixel 3 & 4
5	000-255	Green dimmer (0-100%)	
6	000-255	Blue dimmer (0-100%)	
...	...	...	...
55	000-255	Red dimmer (0-100%)	Pixel 37 & 38
56	000-255	Green dimmer (0-100%)	
57	000-255	Blue dimmer (0-100%)	
58	000-255	Red dimmer (0-100%)	Pixel 39 & 40
59	000-255	Green dimmer (0-100%)	
60	000-255	Blue dimmer (0-100%)	

### 120 channel mode:

Channel	Value	Function	
1	000-255	Red dimmer (0-100%)	Pixel 1
2	000-255	Green dimmer (0-100%)	
3	000-255	Blue dimmer (0-100%)	
4	000-255	Red dimmer (0-100%)	Pixel 2
5	000-255	Green dimmer (0-100%)	
6	000-255	Blue dimmer (0-100%)	
...	...	...	...
115	000-255	Red dimmer (0-100%)	Pixel 39
116	000-255	Green dimmer (0-100%)	
117	000-255	Blue dimmer (0-100%)	
118	000-255	Red dimmer (0-100%)	Pixel 40
119	000-255	Green dimmer (0-100%)	
120	000-255	Blue dimmer (0-100%)	

### 61 channel mode:

Channel	Value	Function	
1	000-255	Master dimmer (0-100%)	
2	000-255	Red dimmer (0-100%)	Pixel 1 & 2
3	000-255	Green dimmer (0-100%)	
4	000-255	Blue dimmer (0-100%)	
5	000-255	Red dimmer (0-100%)	Pixel 3 & 4
6	000-255	Green dimmer (0-100%)	
7	000-255	Blue dimmer (0-100%)	
...	...	...	...
56	000-255	Red dimmer (0-100%)	Pixel 37 & 38
57	000-255	Green dimmer (0-100%)	
58	000-255	Blue dimmer (0-100%)	
59	000-255	Red dimmer (0-100%)	Pixel 39 & 40
60	000-255	Green dimmer (0-100%)	
61	000-255	Blue dimmer (0-100%)	

### 121 channel mode:

Channel	Value	Function	
1	000-255	Master dimmer (0-100%)	
2	000-255	Red dimmer (0-100%)	Pixel 1
3	000-255	Green dimmer (0-100%)	
4	000-255	Blue dimmer (0-100%)	
5	000-255	Red dimmer (0-100%)	Pixel 2
6	000-255	Green dimmer (0-100%)	
7	000-255	Blue dimmer (0-100%)	
...	...	...	...
116	000-255	Red dimmer (0-100%)	Pixel 39
117	000-255	Green dimmer (0-100%)	
118	000-255	Blue dimmer (0-100%)	
119	000-255	Red dimmer (0-100%)	Pixel 40
120	000-255	Green dimmer (0-100%)	
121	000-255	Blue dimmer (0-100%)	

### Colour mix mode:

To access the static colour mode press “MENU” until *r 000* shows on the LED display.

Now use the “UP” and “DOWN” buttons to select the brightness between *r.000* ~ *r.255*. Press the “ENTER” button and repeat for green (*g*) and blue (*b*).

Value: 000 - 255 (000 = low brightness, 255 = high brightness)

To add a strobe to your colour mix, press the “MENU” button to show *F000* on the LED display. Now use the “UP” and “DOWN” buttons to choose the desired speed between *F000 ~ F255*. To exit out of any of the above options, press the “MENU” button.

### Colour change:

To access the colour change mode, press the “MENU” button to show *CC01* on the LED display. Now use the “UP” and “DOWN” buttons to choose the desired speed between *CC01 ~ CC15*. To exit out of any of the above options, press the “MENU” button.

### Colour fade:

To access the colour fade mode, press the “MENU” button to show *dE01* on the LED display. Now use the “UP” and “DOWN” buttons to choose the desired speed between *dE01 ~ dE15*. To exit out of any of the above options, press the “MENU” button.

### Colour pulse:

To access the colour pulse mode, press the “MENU” button to show *CP01* on the LED display. Now use the “UP” and “DOWN” buttons to choose the desired speed between *CP01 ~ CP15*. To exit out of any of the above options, press the “MENU” button.

### Static colour mode/colour fade in/out mode:

To access the static colour mode, press the “MENU” button to show *CL01* on the LED display. Now use the “UP” and “DOWN” buttons to choose the desired colour between *CL01 ~ CL07*. To then access the colour pulse mode, press the “UP” and “DOWN” buttons to select between *CL08 ~ CL15*. Press the “ENTER” button to confirm the setting and use the “UP” and “DOWN” buttons to select the speed between *SP01 ~ SP15*. Press the “ENTER” button to confirm the setting. To exit out of any of the above options, press the “MENU” button.

### Flow effect mode:

To access the flow effect modes press “MENU” until *EA-1* shows on the LED display. To choose a flow effect, press the “UP” button until you find your desired setting between *EA-1 ~ E9-1*. Then use the “DOWN” button to select the colour. Press the “ENTER” button use the “UP” and “DOWN” buttons to select the speed between *SP 1 ~ SP 15*.

To exit out of any of the above options, press the “MENU” button.

### Sound modes:

To access the sound modes (built-in programs), press the “MENU” button to show *SUd1* on the LED display. Now press the “ENTER” button and use the “UP” and “DOWN” buttons to choose the required sound mode *SUd1 ~ SUd4*. Press the “ENTER” button and use the “UP” and “DOWN” buttons to select the sound sensitivity between *SE01 ~ SE15*.

Press the “ENTER” button to confirm the setting.

To exit out of any of the above options, press the “MENU” button.

### Setting the DMX address:

The DMX mode enables the use of a universal DMX controller. Each fixture requires a “start address” from 1- 512. A fixture requiring one or more channels for control begins to read the data on the channel indicated by the start address. For example, a fixture that occupies or uses 7 channels of DMX and was addressed to start on DMX channel 100, would read data from channels: 100, 101, 102, 103, 104, 105 and 106. Choose a start address so that the channels used do not overlap. E.g. the next unit in the chain starts at 107.

### DMX 512:

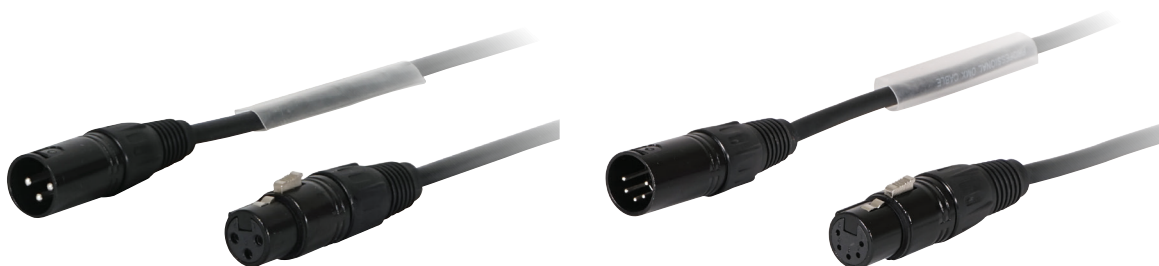
DMX (Digital Multiplex) is a universal protocol used as a form of communication between intelligent fixtures and controllers. A DMX controller sends DMX data instructions from the controller to the fixture. DMX data is sent as serial data that travels from fixture to fixture via the DATA “IN” and DATA “OUT” XLR terminals located on all DMX fixtures (most controllers only have a data “out” terminal).

### DMX linking:

DMX is a language allowing all makes and models of different manufactures to be linked together and operate from a single controller, as long as all fixtures and the controller are DMX compliant. To ensure proper DMX data transmission, when using several DMX fixtures try to use the shortest cable path possible. The order in which fixtures are connected in a DMX line does not influence the DMX addressing. For example; a fixture assigned to a DMX address of 1 may be placed anywhere in a DMX line, at the beginning, at the end, or anywhere in the middle. When a fixture is assigned a DMX address of 1, the DMX controller knows to send DATA assigned to address 1 to that unit, no matter where it is located in the DMX chain.

### DATA cable (DMX cable) requirements (for DMX operation):

This fixture can be controlled via DMX-512 protocol. The DMX address is set on the back of the unit. Your unit requires either a standard 3-pin or 5-pin XLR connector for data input/output, see images below.



Further DMX cables can be purchased from all good sound and lighting suppliers or Prolight Concepts dealers.

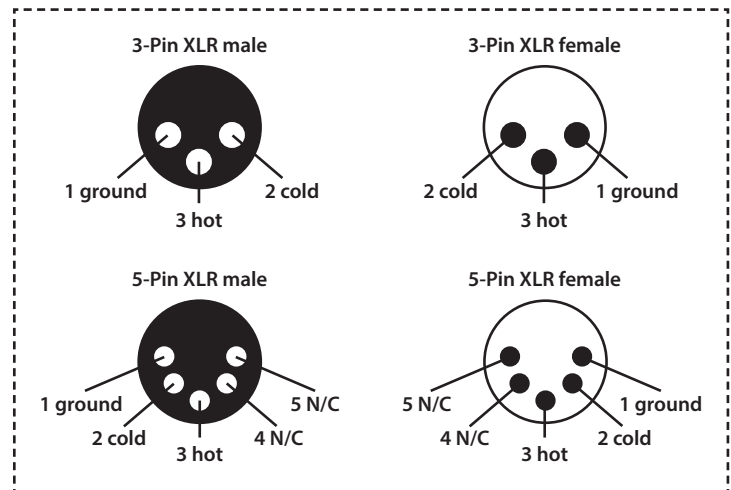
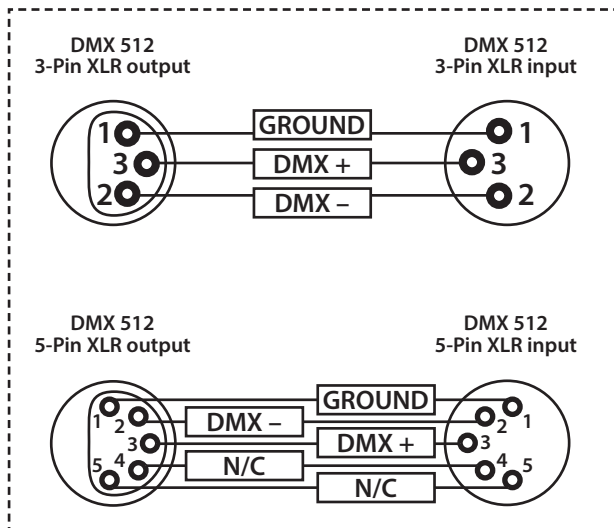
Please quote:	3-Pin:	<b>CABL10 – 2m</b>	<b>CABL11 – 5m</b>	<b>CABL12 – 10m</b>
	5-Pin:	<b>CABL185 – 2m</b>	<b>CABL187 – 5m</b>	<b>CABL188 – 10m</b>

Also remember that DMX cable must be daisy chained and cannot be split.

### Notice:

Be sure to follow the diagrams below when making your own cables. Do not connect the cables shield conductor to the ground lug or allow the shield conductor to come in contact with the XLRs outer casing. Grounding the shield could cause a short circuit and erratic behaviour.

Pin Configuration	
3-Pin	5-Pin
	Pin 1 - Ground
	Pin 2 - Negative
	Pin 3 - Positive
-	Pin 4 - N/C
-	Pin 5 - N/C



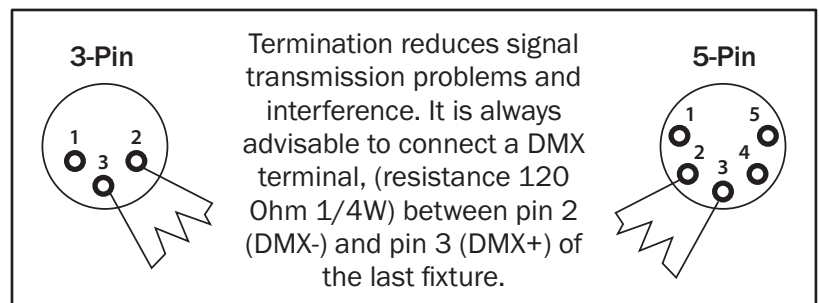
### Line termination:

When longer runs of cable are used, you may need to use a terminator on the last unit to avoid erratic behaviour.

**Using a cable terminator will decrease the possibilities of erratic behaviour.**

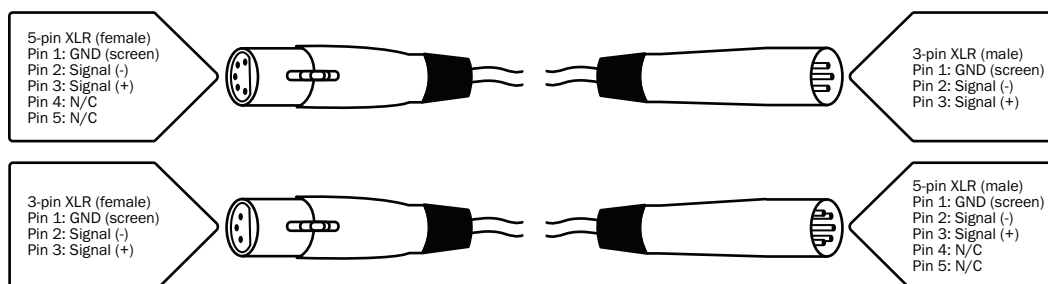
(3-pin - Order ref: CABL90,

5-pin - Order ref: CABL89)



### 5-pin XLR DMX connectors:

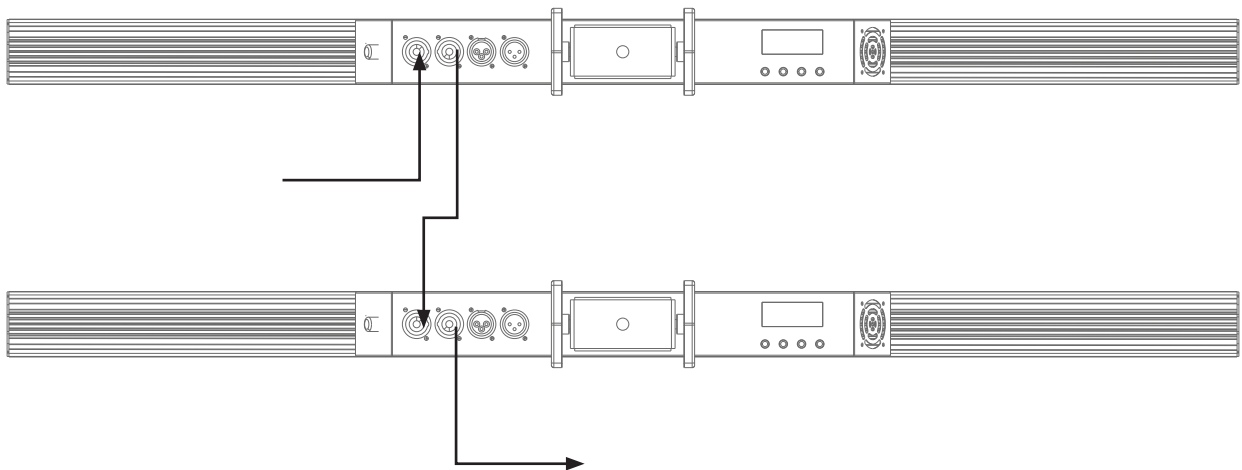
Some manufactures use 5-pin XLR connectors for data transmission in place of 3-pin. 5-pin XLR fixtures may be implemented in a 3-pin XLR DMX line. When inserting standard 5-pin XLR connectors in to a 3-pin line a cable adaptor must be used. The diagram below details the correct cable conversion.



### Power linking:

This fixture provides power linking via the power output on the rear allowing multiple units to be connected together. The maximum number of fixtures that can be connected is 20 fixtures @ 240V or 10 fixtures @ 120V (including the first fixture). After the maximum number of fixtures are connected a new power run will need to be started.

Please note: Caution should be used when power linking other fixtures to the PIXELpoint batten as the power consumption of other fixtures will vary. Fixtures fitted with lamps often require 2/3 times more current on startup, these may require their own power source.



### ***Correct Disposal of this Product (Waste Electrical & Electronic Equipment)***

**(Applicable in the European Union and other European countries  
with separate collection systems)**

This marking shown on the product or its literature, indicates that it should not be disposed of with other household wastes at the end of its working life. To prevent possible harm to the environment or human health from uncontrolled waste disposal, please separate this from other types of wastes and recycle it responsibly to promote the sustainable reuse of material resources.

Household users should contact either the retailer where they purchased this product, or their local government office, for details of where and how they can take this item for environmentally safe recycling.

Business users should contact their supplier and check the terms and conditions of the purchase contract. This product should not be mixed with other commercial wastes for disposal.

