

EQUINOX

PRO DJ Booth System MKII

User Manual



Order code: EQLED025P

WARNING

FOR YOUR OWN SAFETY, PLEASE READ THIS USER MANUAL CAREFULLY BEFORE YOUR INITIAL START-UP!



- Site the booth on a level, stable surface
- Booth must be unfolded and setup as per diagram overleaf.
- Incorrect setup may lead to additional stress on the frame and components.
- Take care to keep fingers, body parts and loose clothing away from moving parts
- Shelf loading: 25kg max. (evenly distributed)
- Do not stand or sit on the shelf

PRO DJ Booth System MKII

This Equinox PRO DJ Booth system comes supplied with a sturdy shelf, carry bag and white and black lycra covers. Additionally you can create a white starcloth effect when combining the white lycra supplied and the optional black starcloth.

Specifications	
Dimensions	1302 x 170 x 700mm (folded) 1298 x 2000 x 730mm (set-up) 885 x 1950 x 705mm (internal)
Shelf height	885mm
Shelf max. load	25kg (evenly distributed)
Frame weight	8.2kg
Shelf weight	9.7kg
Weight	22kg
Order code	EQLED025P

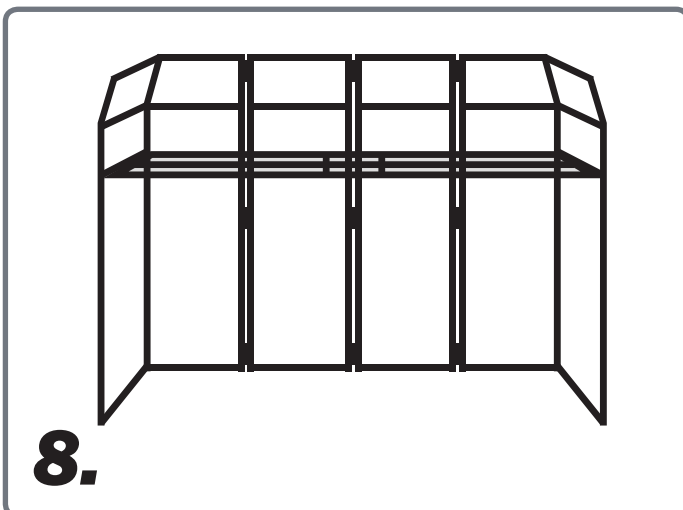
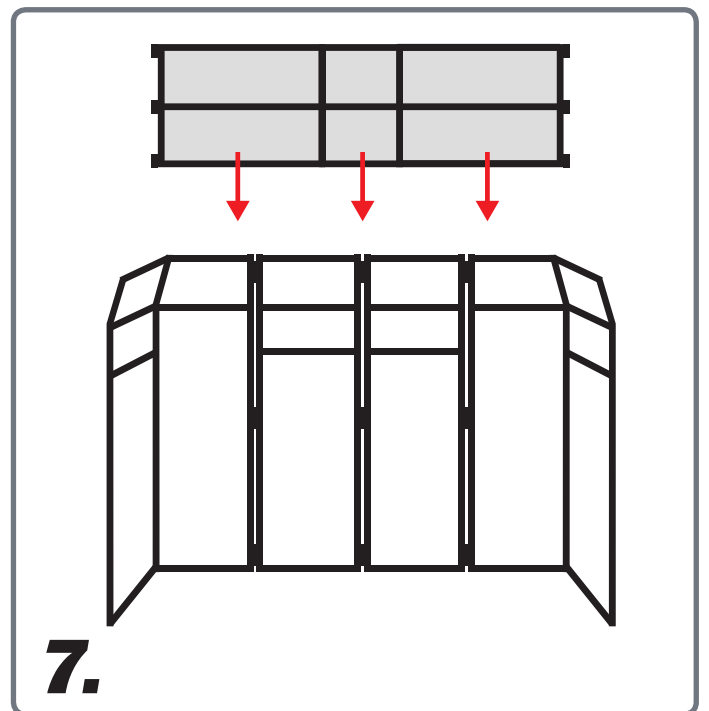
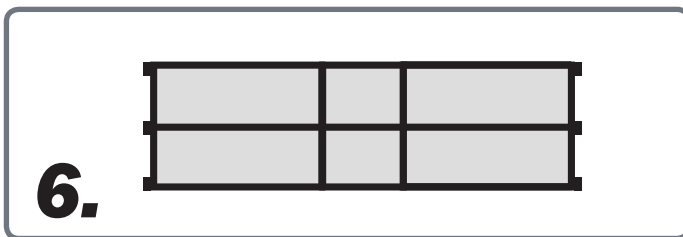
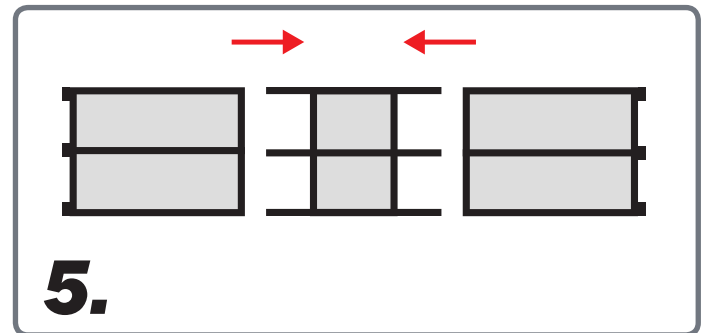
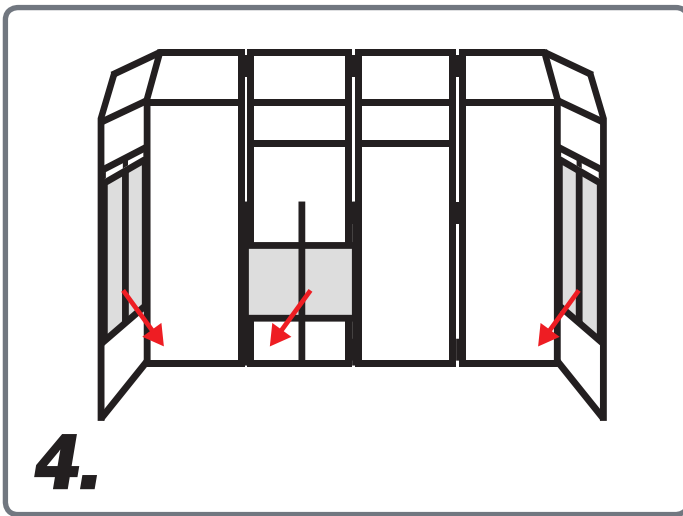
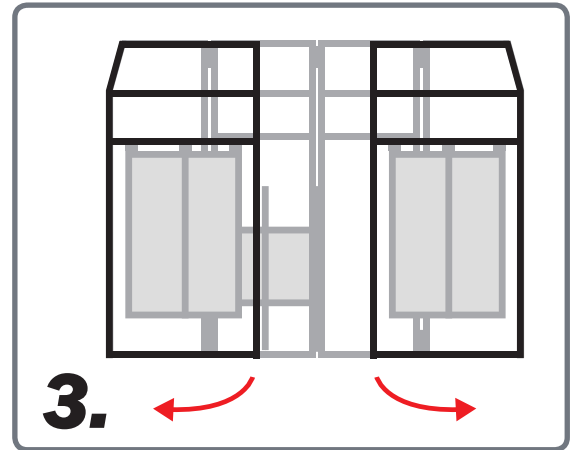
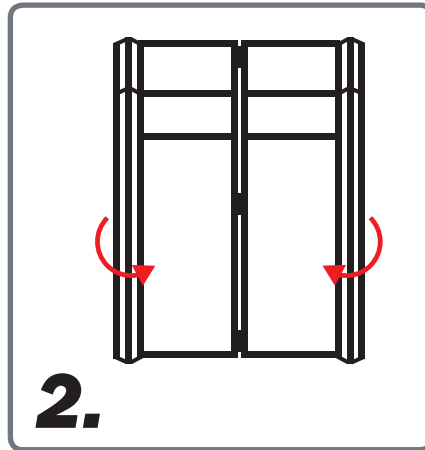
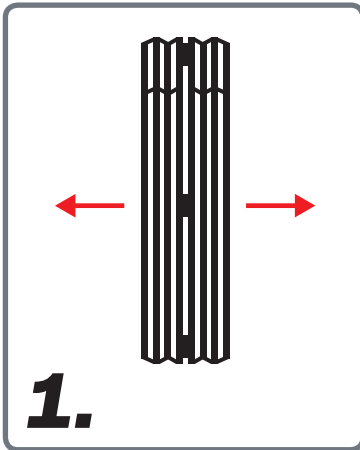


Includes sturdy shelf to support a variety of equipment

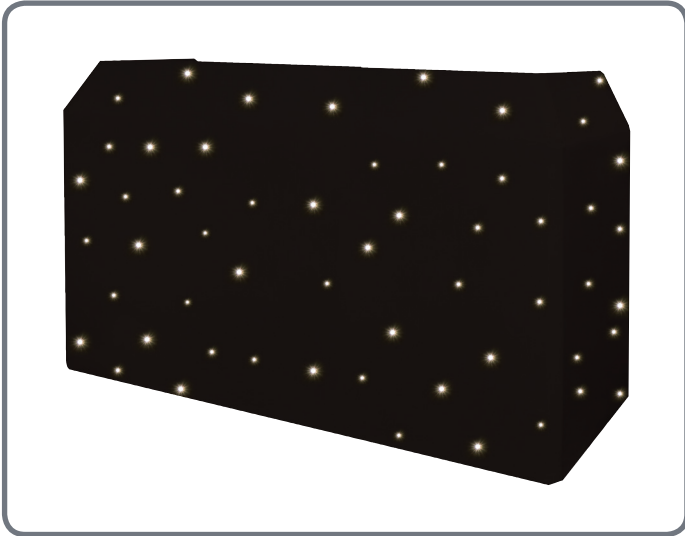


Carry Bag Included

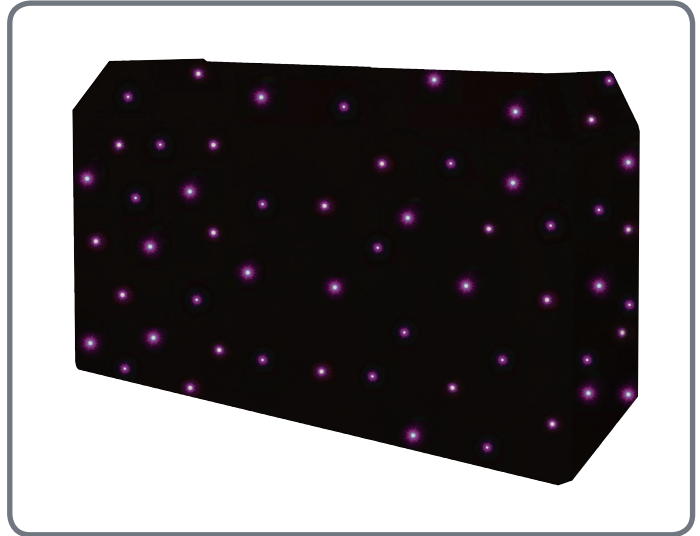
To set up the PRO DJ Booth stand correctly, please follow the 7 steps below.



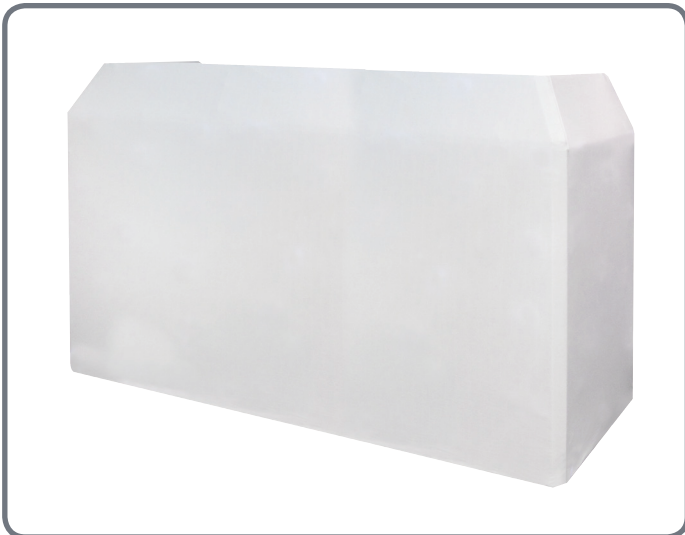
Please contact your local retailer to purchase these accessories.



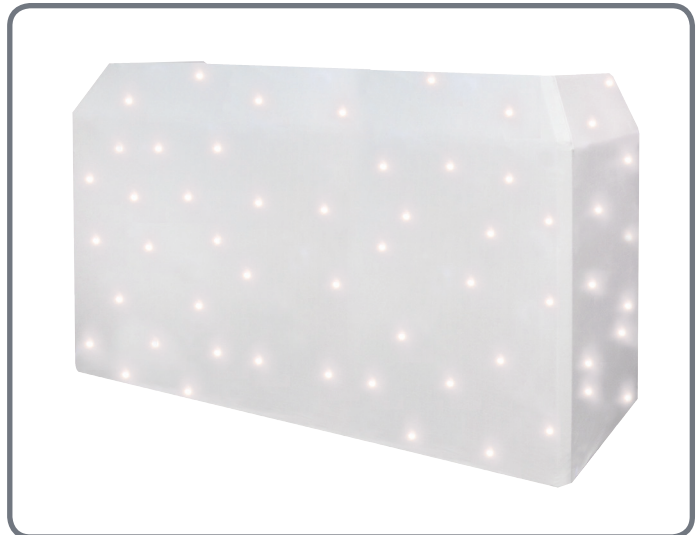
Optional LED Starcloth System, Black cloth, CW
Order code: EQLED025B



Optional Tri LED Starcloth System, Black cloth
Order code: EQLED025F



Additional white lycra available to purchase
should you need one in the future
Order code: EQLED025C



You can also create a white starcloth effect
by covering the optional black starcloth
with the supplied white lycra