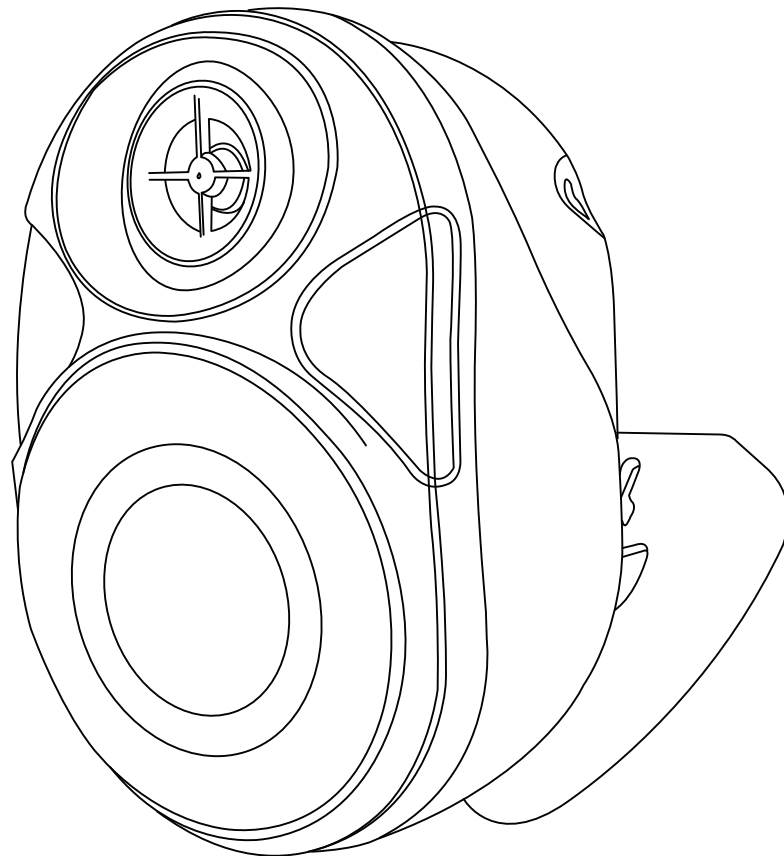




BGS 20T 100V/8Ω Background Music Loudspeakers

User Manual



Order codes:

CRSP45 - White housing

CRSP46 - Black housing

WARNING

FOR YOUR OWN SAFETY, PLEASE READ THIS USER MANUAL CAREFULLY BEFORE YOUR INITIAL START-UP!

- Immediately upon receiving this product, carefully unpack the carton and check the contents to ensure that all the parts are present.
- Before your initial start-up, please make sure that there is no damage caused during transportation.
- Should there be any damage, consult your dealer and do not use the equipment.
- Retain the carton and all packaging materials.
- In the event that a fixture must be returned to the supplier, it is important that the fixture is returned in the original carton and packaging.
- To maintain the equipment in good working condition and to ensure safe operation, it is necessary for the user to follow the safety instructions and warning notes written in this manual.
- Please note that damages caused by user modifications to this equipment are not subject to warranty.



IMPORTANT:

The manufacturer will not accept liability for any resulting damages caused by the non-observance of this manual or any unauthorised modification to the equipment.

- Never leave any cables lying around.
- Do not use the unit near stoves, heaters, radiators, or other heat producing devices.
- Do not insert any objects into the air vents.
- Never remove warning or informative labels from the equipment.
- Do not open the equipment and do not modify the equipment.
- Only use the equipment indoors.
- Do not expose to flammable sources, liquids or gases.
- Do not use the incorrect cables or defective cables.
- Do not drive the inputs with a signal level higher than required to drive the equipment to its full output
- Prevent distortion! Make sure that all components connected to the speaker have sufficient power ratings. Distortion will be generated if the components are operated at their limits.
- The user is responsible for correct positioning and operation of this fixture. The manufacturer will not accept liability for damages caused by the misuse or incorrect installation of this equipment.
- Repairs, servicing and power connection must only be carried out by a qualified technician. THIS UNIT CONTAINS NO USER SERVICEABLE PARTS.
- WARRANTY: One year from date of purchase.

OPERATING DETERMINATIONS

If this equipment is operated in any other way, than those described in this manual, the product may suffer damage and the warranty becomes void. Incorrect operation may lead to danger e.g: short-circuit, burns and electric shocks etc.

In case of malfunction this device should be returned for service or inspection.

Do not endanger your own safety and the safety of others!

Incorrect installation or use can cause serious damage to people and/or property.

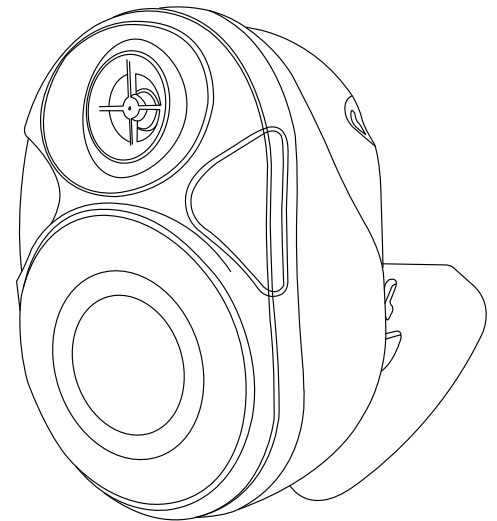
BGS 20T 100V Background Music Loudspeakers

The BGS 20T series loudspeakers feature stylish, ultra compact cabinets ideal for indoor installation where discrete background music and paging is required.

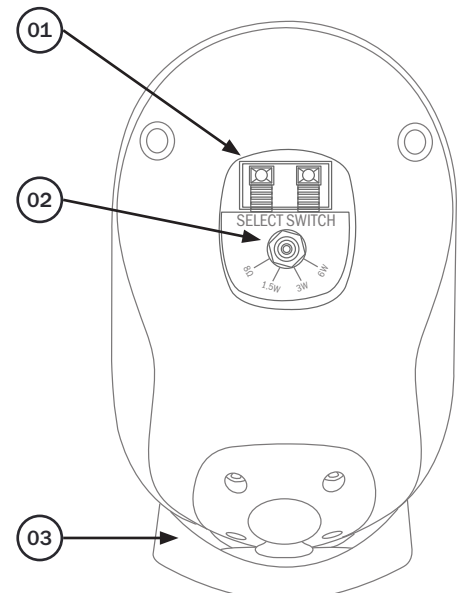
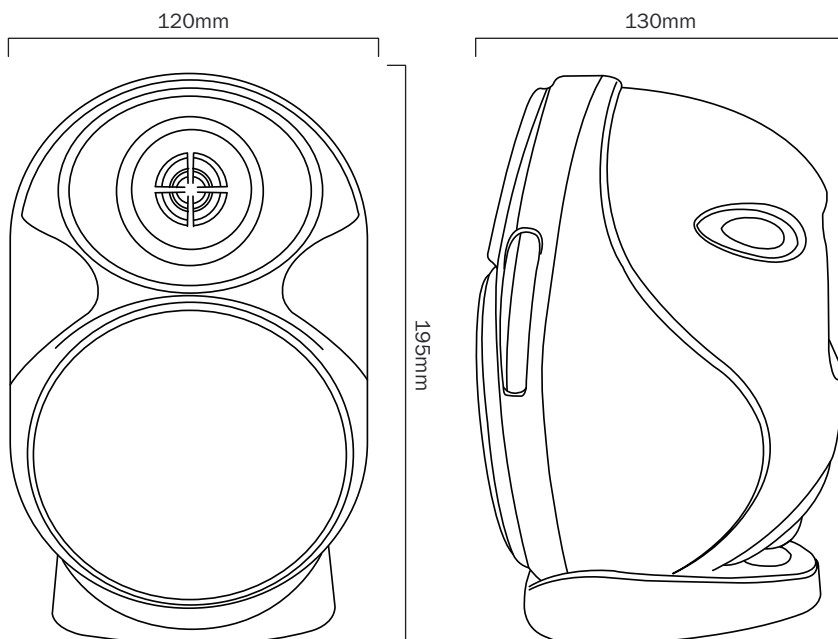
The dual purpose bracket/stand makes these units easy to install without removing the bracket. The cabinets can be used on either 8Ω or 100V line systems with 1.5W, 3W and 6W taps available for 100V use.

- 2-way loudspeakers
- Complete with Quick-Fixx® mounting brackets
- Supplied in pairs
- Adjustable wattage selection
- Robust white housing
- Polypropylene LF and Mylar HF

Specifications	BGS 20T
Input	100V, 8Ω
Power taps @ 100V	1.5W, 3W, 6W
Impedance	6.7KΩ, 3.3KΩ, 1.7KΩ
Power (RMS)	20W @ 8Ω
Sensitivity (1W/1m)	83dB
Maximum SPL (Rated W/1m)	93dB
Frequency response	100Hz-18kHz
Drivers	3" LF, 1" HF
Connections	2 x Spring terminals
Dimensions	195 x 120 x 130mm
Weight	1.06kg (each)
Order code	CRSP45 - White housing
Order code	CRSP46 - Black housing



In the box: **2 x loudspeakers with integral Quick Fixx® mounting brackets & 1 x user manual**

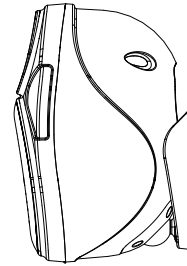


- 01 - Spring terminal connections
- 02 - Wattage tapping selector
- 03 - Quick Fixx® mounting bracket
(See next page for installation instructions)

Before attaching the loudspeaker, make sure that the installation area can hold a minimum point load of 10 times the installations weight. (eg 13kg - 130kg point load).

The durability of the installation depends very much on the material used at the installation area (building material), such as wood, concrete and brick etc. This is why the fixing material must be chosen to suit the wall material.

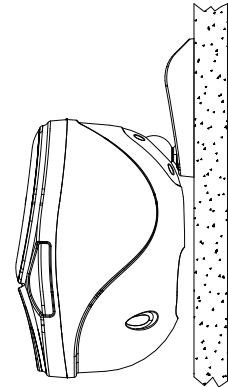
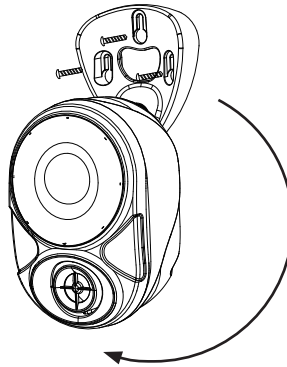
Always ask a specialist for the correct plug/screw combination indicating the maximum load and building material.



Step 1

Fix the mounting bracket to the wall with 3 suitable plug/screw fixings.

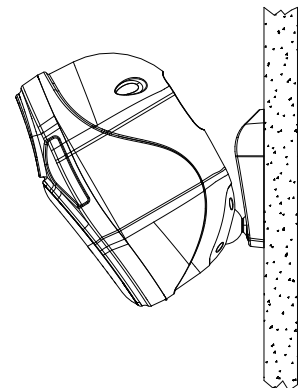
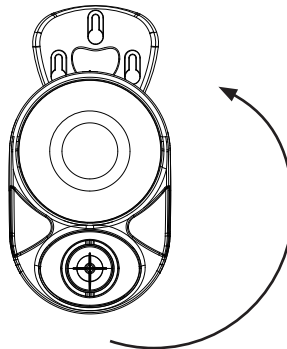
The ball joint allows you to pivot the loudspeaker around so you can access the mounting bracket for installation.



Step 2

After installation, pivot the loudspeaker to select the desired position.

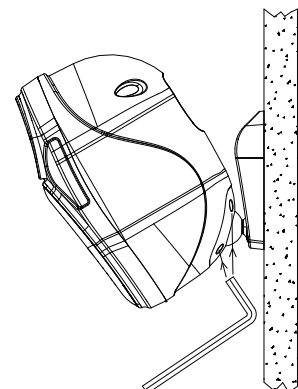
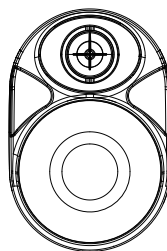
At this point, connect the cable/s observing connection polarity and select the wattage tapping.



Step 3

Once you have selected the desired position, use an Allen key to tighten the screws on the base of the loudspeaker.

This will secured the chosen position and prevent movement from the desired position.



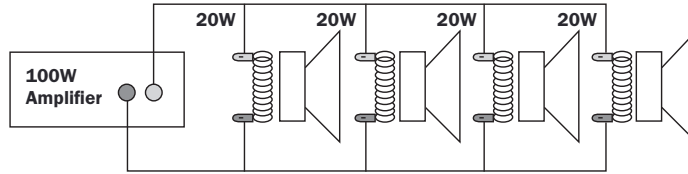
Important installation advice

- All loudspeakers have to be connected to the constant voltage line and wired in parallel.
- The output power is adjustable using the switch provided on the rear of the speaker.
- As the voltage on the line can approach 100V, installation must follow the best practice with double insulated cable being used. Cable runs should be kept away from any potential source of interference such as 3 phase mains, data cables, telecom cables etc.
- 100V line systems must always be wired in parallel and the total load presented to the amplifier must not exceed the rated output of the amplifier or damage can result.
- You must NEVER mix 100V line and low impedance speakers on the same system.
- DO NOT run microphone cables near mains, data, telephone or 100V line cables.
- DO NOT exceed 90% of the amplifiers output power when using 100V line (speech only).
- DO NOT exceed 70% of the amplifiers output power when using 100V line (high level background music only).
- ENSURE that all loudspeakers are in-phase.
- ENSURE that there are no short circuits on the loudspeaker line before connection of the amplifier.
- Where it is intended to use multiple low impedance speakers to cover an area, the speakers must be wired in a series/parallel arrangement in such a way as to present the correct load to the amplifier.
- Note: The total load impedance presented to the amplifier must never be below the rated amplifier impedance, otherwise damage can result.

100V examples:

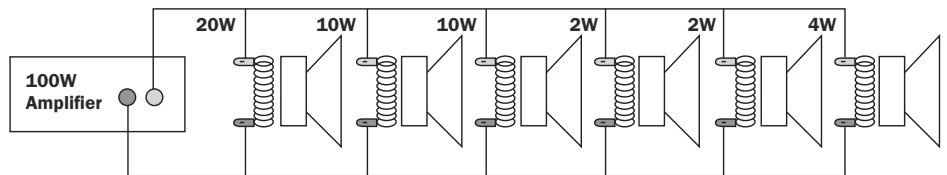
Standard 100V line

4 x 20W - 80W load



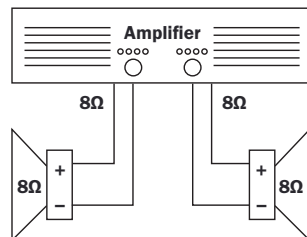
Multi-tap 100V line

20 + 10 + 10 + 2 + 2 + 4 = 48W load

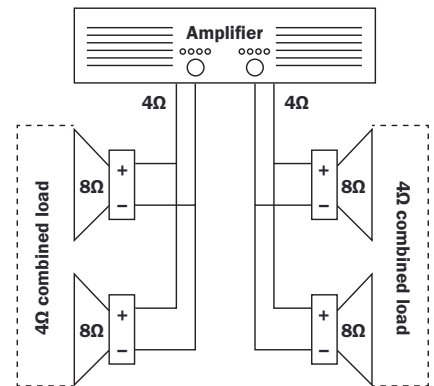


8Ω examples:

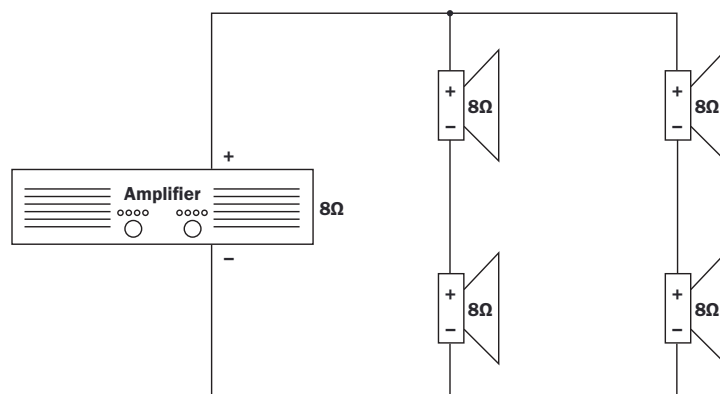
Standard 2 loudspeaker setup



Parallel 4 loudspeaker setup



Series parallel 4 loudspeaker mono setup





***Correct Disposal of this Product
(Waste Electrical & Electronic Equipment)***

**(Applicable in the European Union and other European countries
with separate collection systems)**

This marking shown on the product or its literature, indicates that it should not be disposed with other household wastes at the end of its working life. To prevent possible harm to the environment or human health from uncontrolled waste disposal, please separate this from other types of wastes and recycle it responsibly to promote the sustainable reuse of material resources.

Household users should contact either the retailer where they purchased this product, or their local government office, for details of where and how they can take this item for environmentally safe recycling.

Business users should contact their supplier and check the terms and conditions of the purchase contract. This product should not be mixed with other commercial wastes for disposal.



Public Address solutions from Clever Acoustics

Clever Acoustics wide range of 100V and low impedance products has been designed to offer the installer a comprehensive audio solution. With options for both indoor and outdoor installations the products provide cost effective solutions without compromise on quality or intelligibility.

Throughout the whole product portfolio the range has been designed to be installed with minimum fuss and simple touches including cut out templates for the **ceiling loudspeaker ranges** or Quick-Fixx® fast fit installation brackets featured on the **BGS-20T Series**.

When designing the range of mixer amplifiers our engineers have taken into account that not all amplifiers are tucked away in rack cabinets, with this in mind the **MA Series Mixer Amplifiers** and **SL Series Slave Amplifiers** all feature heavy gauge brushed aluminium, black anodised front panels, maximising quality and aesthetics.

The range includes:

Speakers

- Ceiling
- Column
- Background
- Horn
- Projector
- Pendant
- Wall Mount

Amplifiers

- Mixer
- Slave
- Compact

Accessories

- Paging microphones
- Volume controls

To view the full range of Clever Acoustic products and to keep up-to-date on our latest additions visit www.cleveracoustics.co.uk

