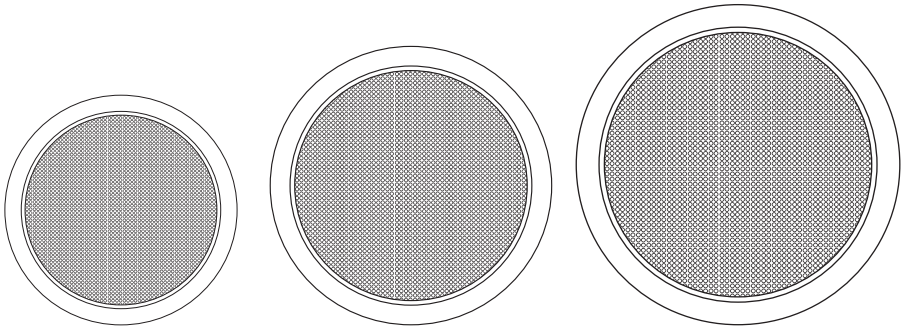


CLEVER

..... a c o u s t i c s

www.cleveracoustics.co.uk

High Power Ceiling Loudspeakers



CS 520HP - 100V 5" 20W

Order code: CRSP11

CS 630HP - 100V 6" 30W

Order code: CRSP12

CS 840HP - 100V 8" 40W

Order code: CRSP13

USER MANUAL

.....

WARNING

**FOR YOUR OWN SAFETY, PLEASE READ THIS USER MANUAL CAREFULLY
BEFORE YOUR INITIAL START-UP!**



**CAUTION!
INPUT VOLTAGE OF 100V**



SAFETY INSTRUCTIONS

Every person involved with the installation, operation & maintenance of this equipment should:

- Be competent
- Follow the instructions of this manual



**CAUTION! TAKE CARE USING THIS EQUIPMENT!
HIGH VOLTAGE-RISK OF ELECTRIC SHOCK!!**



Before your initial start-up, please make sure that there is no damage caused during transportation. Should there be any, consult your dealer and do not use the equipment.

To maintain the equipment in good working condition and to ensure safe operation, it is necessary for the user to follow the safety instructions and warning notes written in this manual.

Please note that damages caused by user modifications to this equipment are not subject to warranty.

IMPORTANT:

The manufacturer will not accept liability for any resulting damages caused by the non-observance of this manual or any unauthorised modification to the equipment.

- Never let the speaker cable come into contact with other cables.
- Never remove warning or informative labels from the equipment.
- Do not open the equipment and do not modify the equipment.
- Do not switch the equipment on and off in short intervals, as this will reduce the system's life.
- Do not expose to flammable sources or gases.
- Make sure that the speaker-cable is never crimped or damaged. Check the equipment and the speaker-cable periodically.
- If the equipment is dropped or damaged, disconnect the supply immediately. Have a qualified engineer inspect the equipment before operating again.
- If your product fails to function correctly, discontinue use immediately. Pack the unit securely (preferably in the original packing material), and return it to your Prolight dealer for service.
- Repairs, servicing and power connection must only be carried out by a qualified technician. THIS UNIT CONTAINS NO USER SERVICEABLE PARTS.
- **WARRANTY;** One year from date of purchase.

OPERATING DETERMINATIONS

If this equipment is operated in any other way, than those described in this manual, the product may suffer damage and the warranty becomes void.

Incorrect operation may lead to danger e.g.: short-circuit, burns, electric shocks etc.

Do not endanger your own safety and the safety of others!

Incorrect installation or use can cause serious damage to people and property.

The 100V/8Ω ceiling speakers are designed specifically for use in permanent audio installations, where reliability and premium sound quality are a must. Highly rugged construction and high efficiency design make this ceiling speaker perfect for continuous duty applications.

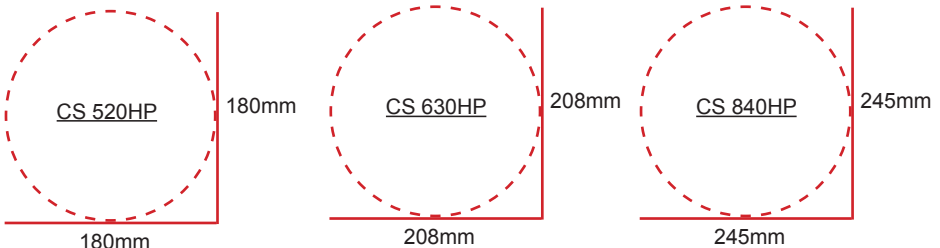
This ceiling speaker is warranted from defects for one year from the date of purchase. Should your ceiling speaker require service, either within or beyond that warranty period, please contact your Prolight Dealer.

Features:

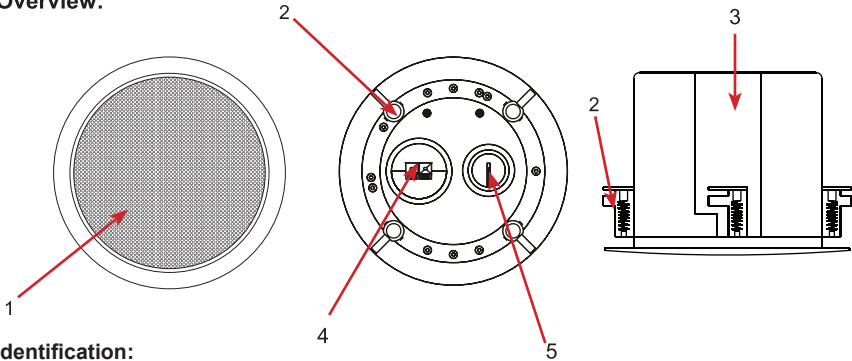
- Coaxial, 2-way design delivers wide frequency response
- Five power taps (100V) plus 8Ω low impedance input
- Metal grille, ABS baffle and metal enclosure
- Flush mount dog-ear mounting for easy installation
- Rotary power tap
- Spring terminal connection
- Supplied with template to aid installation

Specifications	CS 520HP	CS 630HP	CS 840HP
Input:	100V, 8Ω	100V, 8Ω	100V, 8Ω
Power taps @ 100V:	1.25W, 2.5W, 5W, 10W, 20W	1.9W, 3.8W, 7.5W, 15W, 30W	2.5W, 5W, 10W, 20W, 40W
Impedance:	4kΩ, 2kΩ, 1kΩ, 500Ω, 400Ω	2.6kΩ, 1.3kΩ, 670Ω, 330Ω, 165Ω	2kΩ, 1kΩ, 500Ω, 250Ω, 125Ω
Power (RMS):	20W @ 8Ω	30W @ 8Ω	40W @ 8Ω
Sensitivity (1W/1m):	88dB (±3dB)	89dB (±3dB)	90dB (±3dB)
Maximum SPL (Rated W/1m):	101dB	104dB	106dB
Frequency response:	100Hz-20kHz	100Hz-20kHz	100Hz-20kHz
Drivers:	5" LF, 1.5" HF	6" LF, 1.5" HF	8" LF, 1.5" HF
Connections:	Spring terminals	Spring terminals	Spring terminals
Cutout:	180mmØ	208mmØ	245mmØ
Dimensions:	152 x 202mmØ	165 x 233mmØ	195 x 275mmØ
Weight:	1.4kg	1.6kg	2.5kg
Order code:	CRSP11	CRSP12	CRSP13

Cutout size:



Overview:



Identification:

- 1. Speaker grille**
- 2. Spring clips** - Use these clips to install and mount the unit into the ceiling.
- 3. Speaker housing**
- 4. Speaker cable spring terminals** - Use these to connect to your mixer amplifier
- 5. Wattage selector** - Use this to select one of the output wattage taps (100V) or low impedance (8Ω) setting. Selection should be made prior to connection.

Ceiling Installation

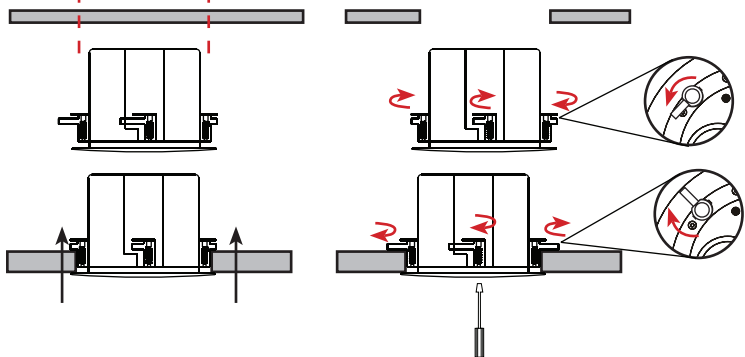
The ceiling Speaker can be installed in a ceiling,

Before installing the speaker, make sure that the installation area can hold a minimum point load of 10 times the installations weight.(e.g.12kg x 10 = 120kg point load).

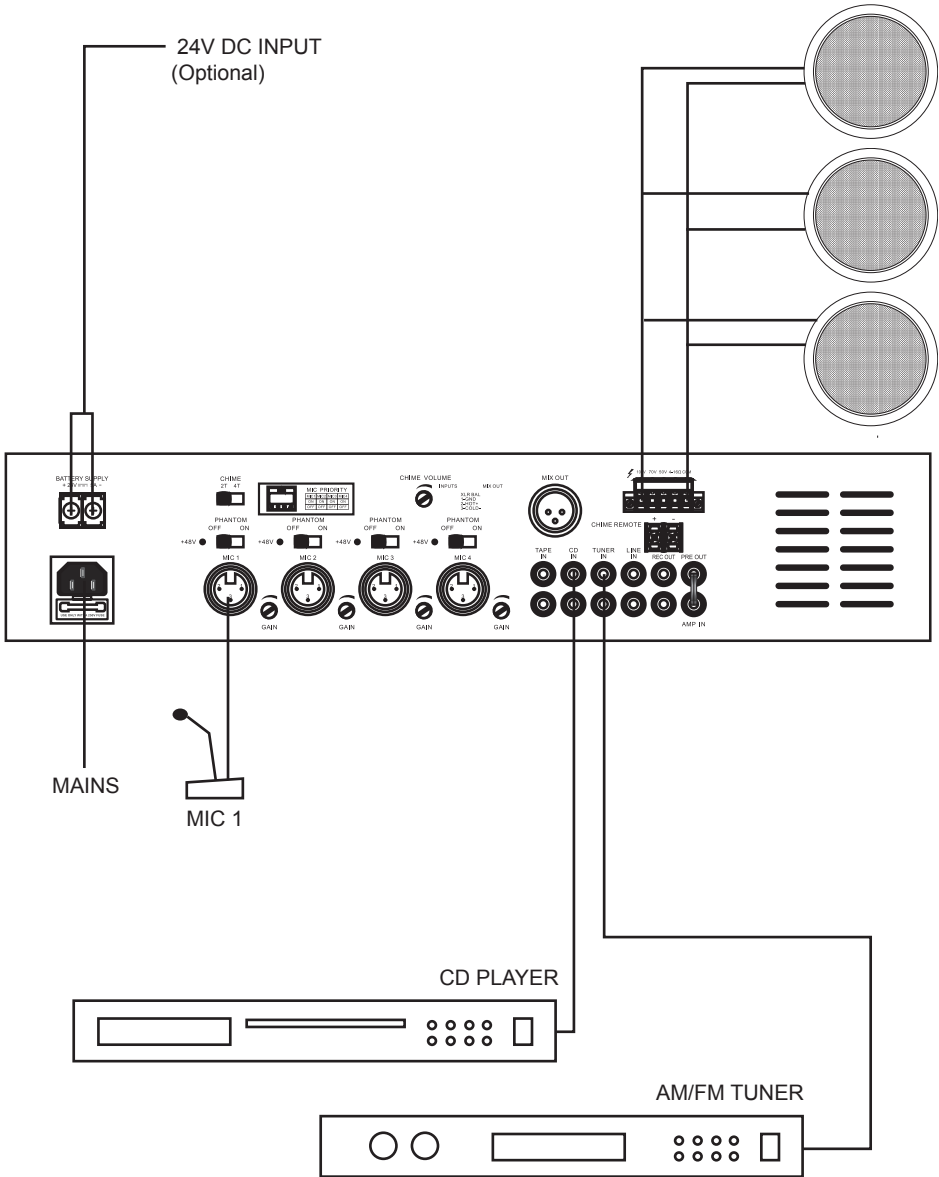
The durability of the installation depends very much on the material used at the installation area (building material), such as wood, concrete and brick etc.

This is why the fixing material must be chosen to suit the ceiling material. Always ask a specialist for the correct plug/screw combination indicating the maximum load and building material.

180mm / 208mm / 245mm cutout

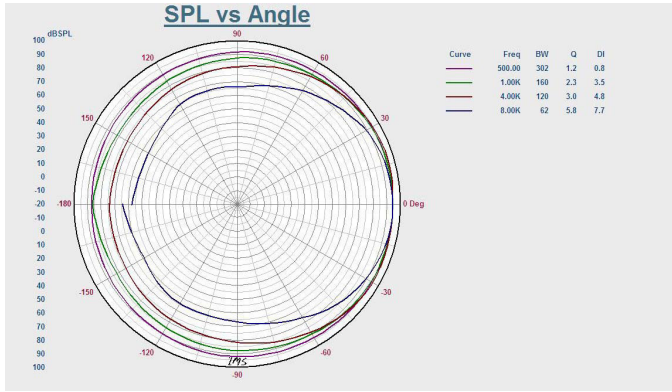


Connections:

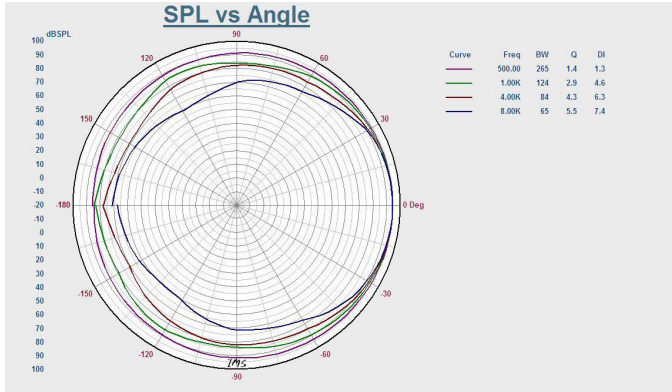


Dispersion characteristics:

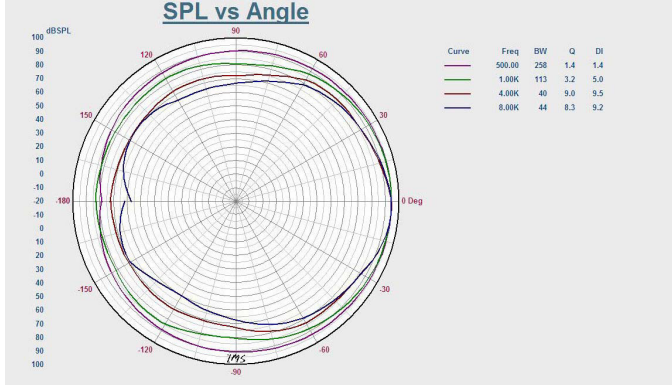
CS 520HP



CS 630HP



CS 840HP





**CAUTION - DANGER TO LIFE
SWITCH OFF AMPLIFIER AND DISCONNECT
THE SPEAKER BEFORE
STARTING MAINTENANCE**



Cleaning and Maintenance

We recommend a frequent cleaning of the product. Please use a soft lint free and moistened cloth. Never use alcohol or solvents.

There are no serviceable parts inside the product except for the fuse. Maintenance and service operations are only to be carried out by authorised dealers.

English



Correct Disposal of This Product (Waste Electrical & Electronic Equipment)

(Applicable in the European Union and other European countries with separate collection systems)

This marking shown on the product or its literature, indicates that it should not be disposed with other household wastes at the end of its working life. To prevent possible harm to the environment or human health from uncontrolled waste disposal, please separate this from other types of wastes and recycle it responsibly to promote the sustainable reuse of material resources.

Household users should contact either the retailer where they purchased this product, or their local government office, for details of where and how they can take this item for environmentally safe recycling.

Business users should contact their supplier and check the terms and conditions of the purchase contract. This product should not be mixed with other commercial wastes for disposal.

CLEVER
a c o u s t i c s

www.cleveracoustics.co.uk

.....